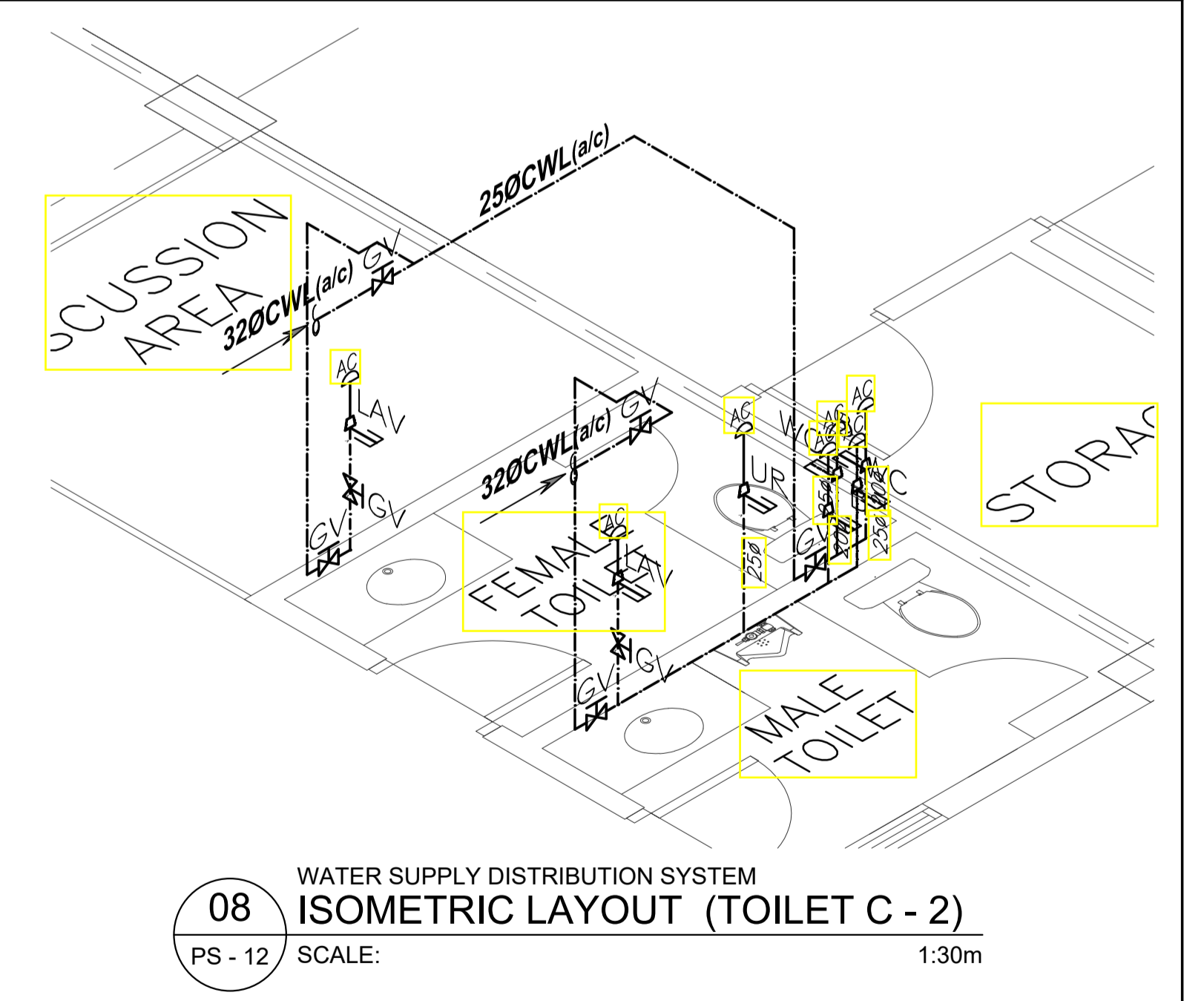
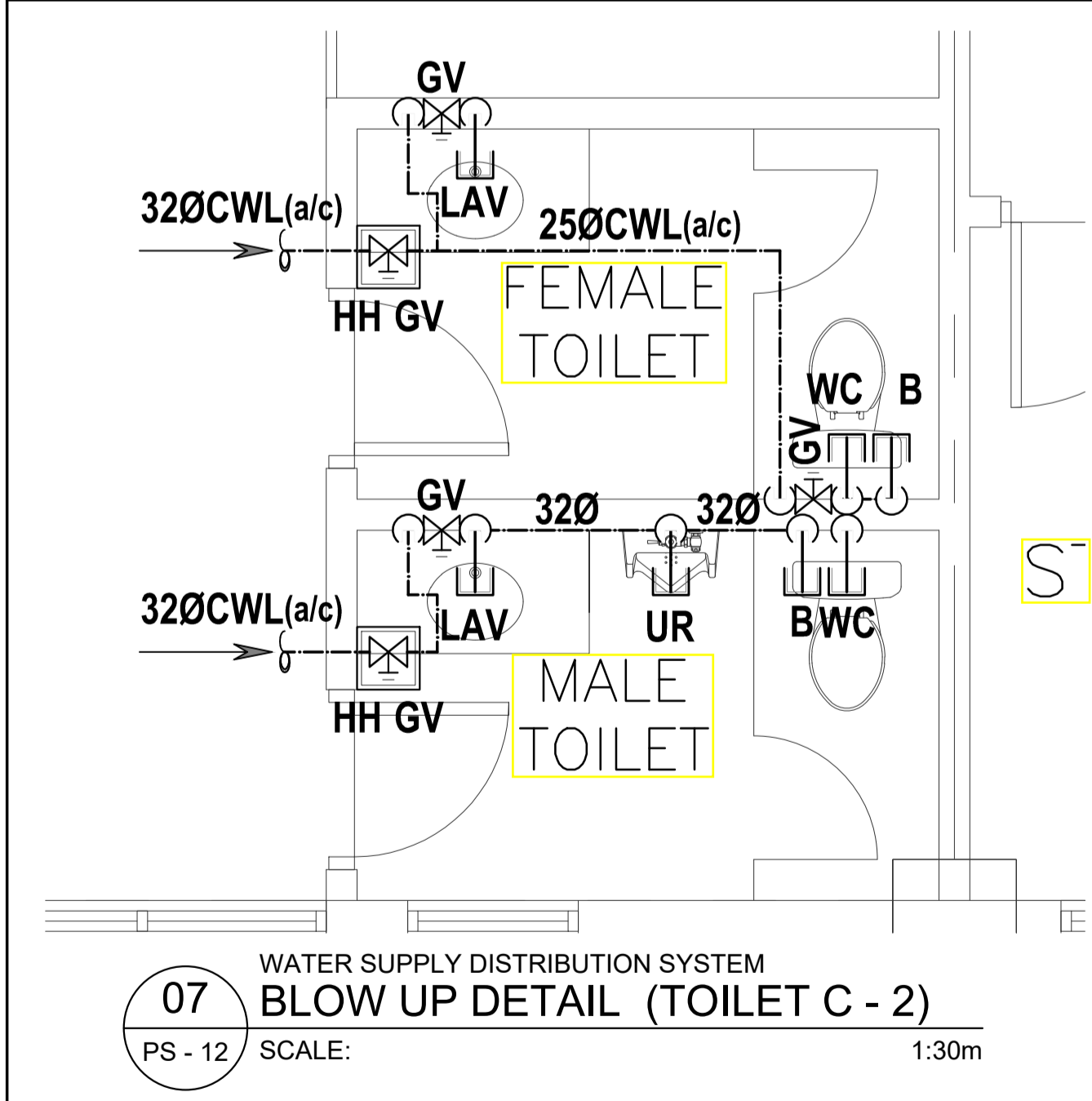
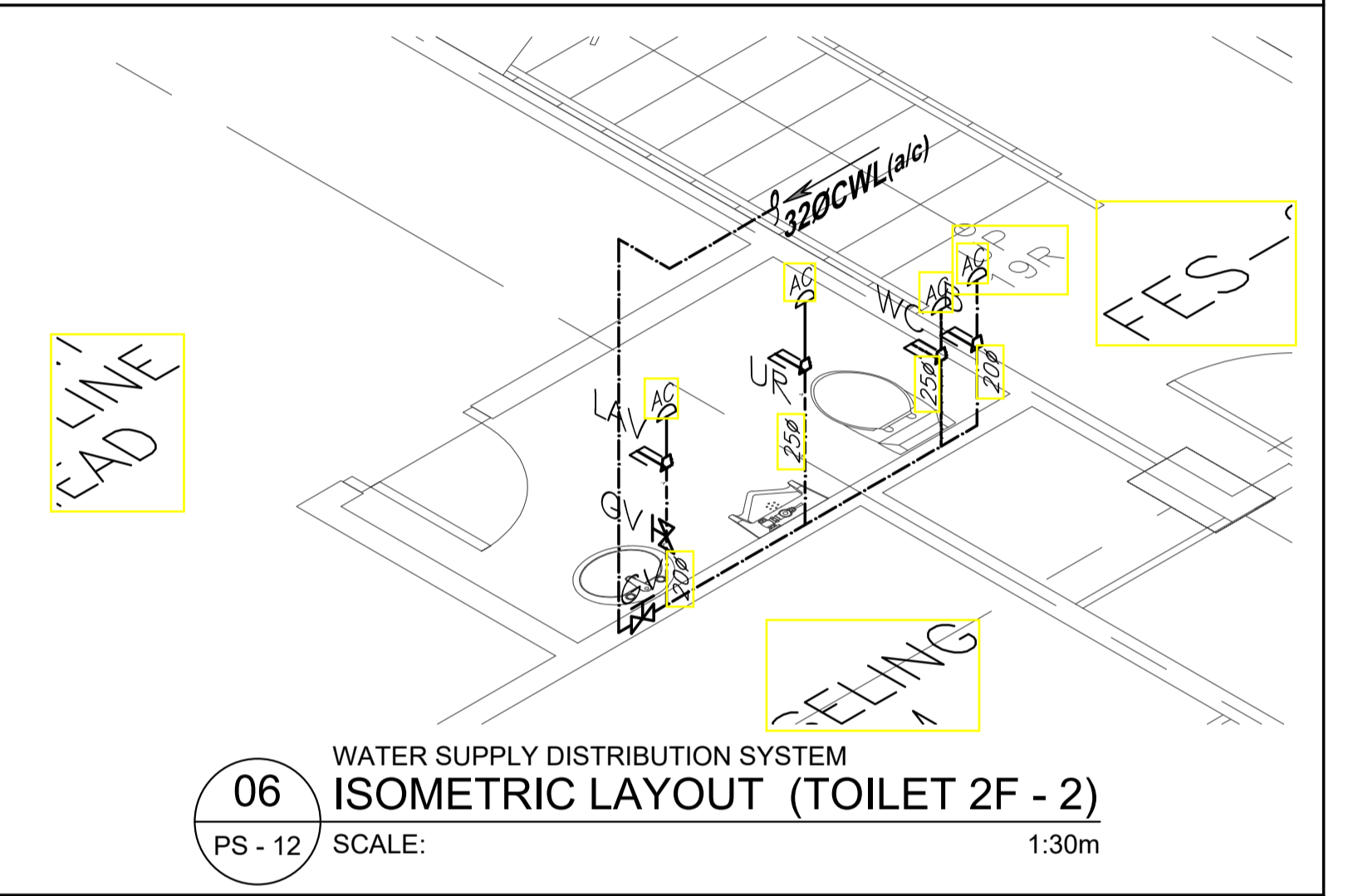
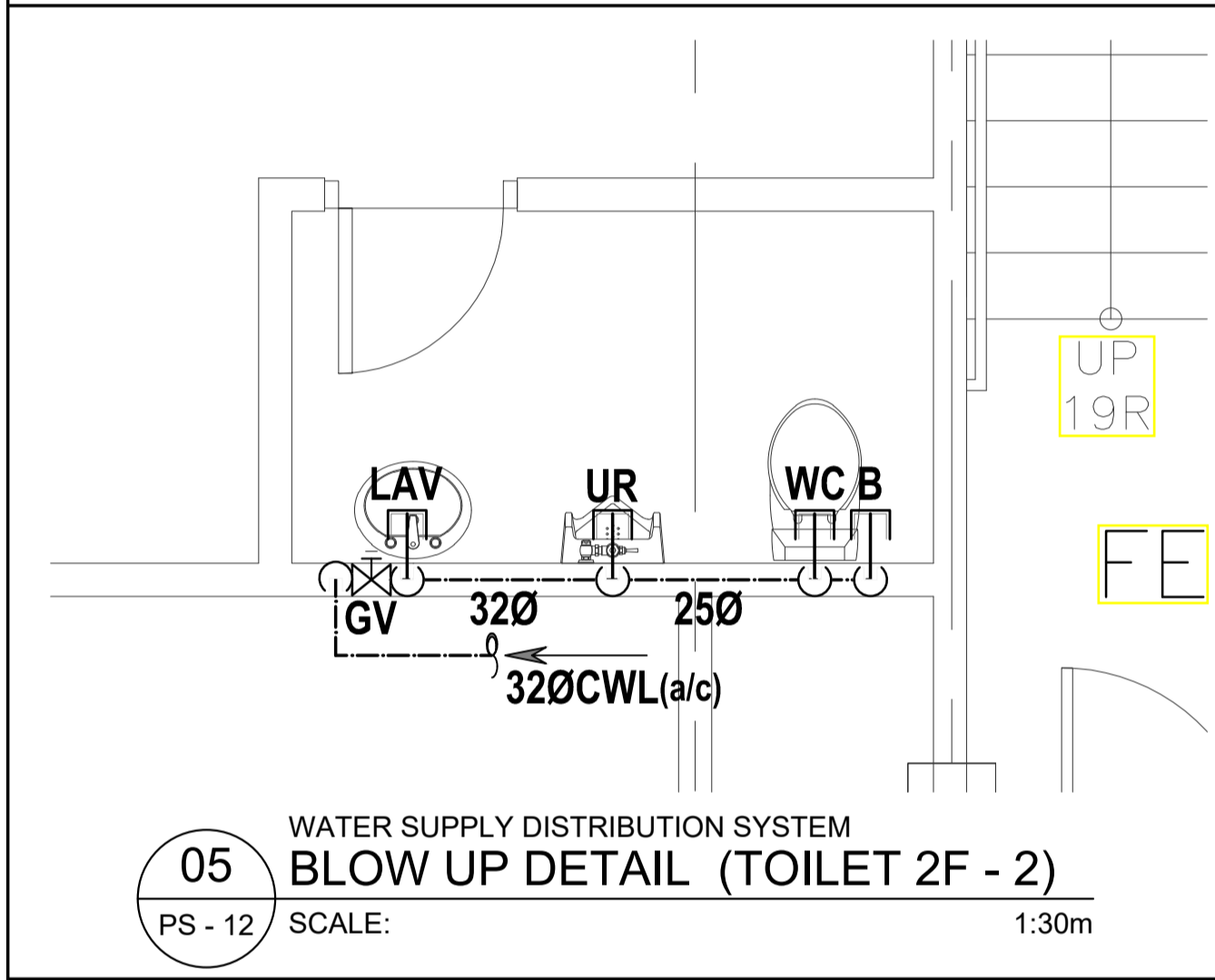
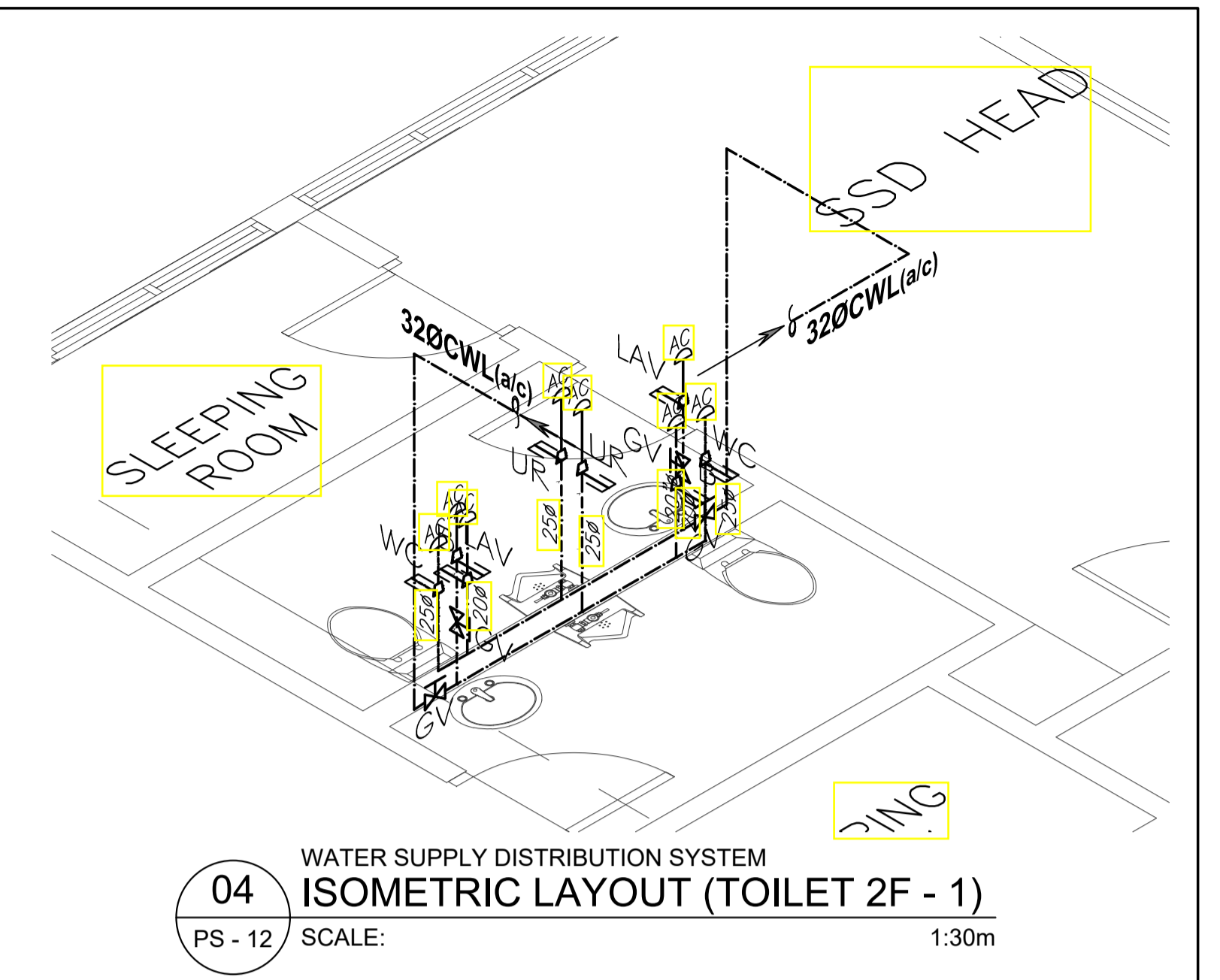
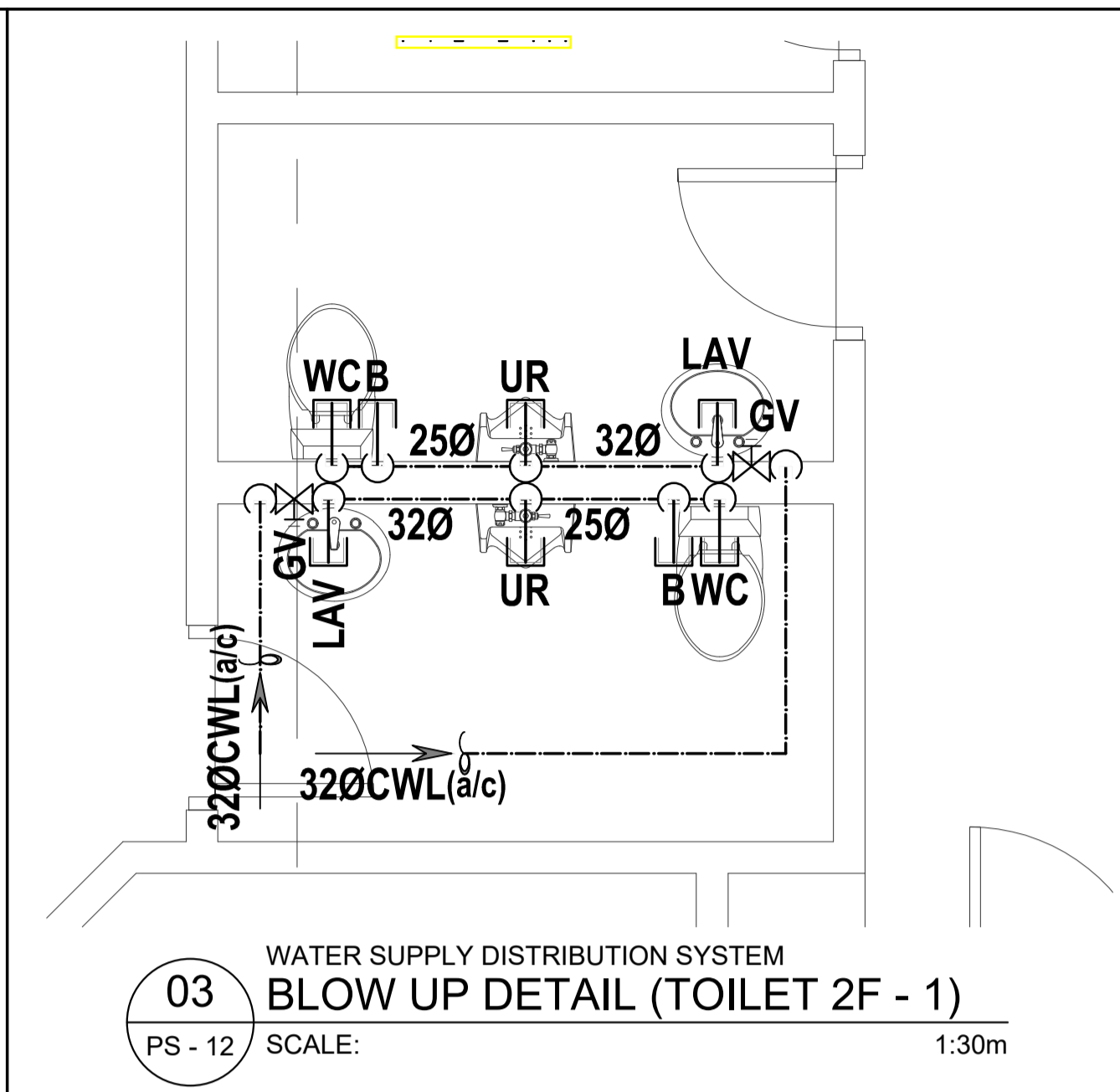
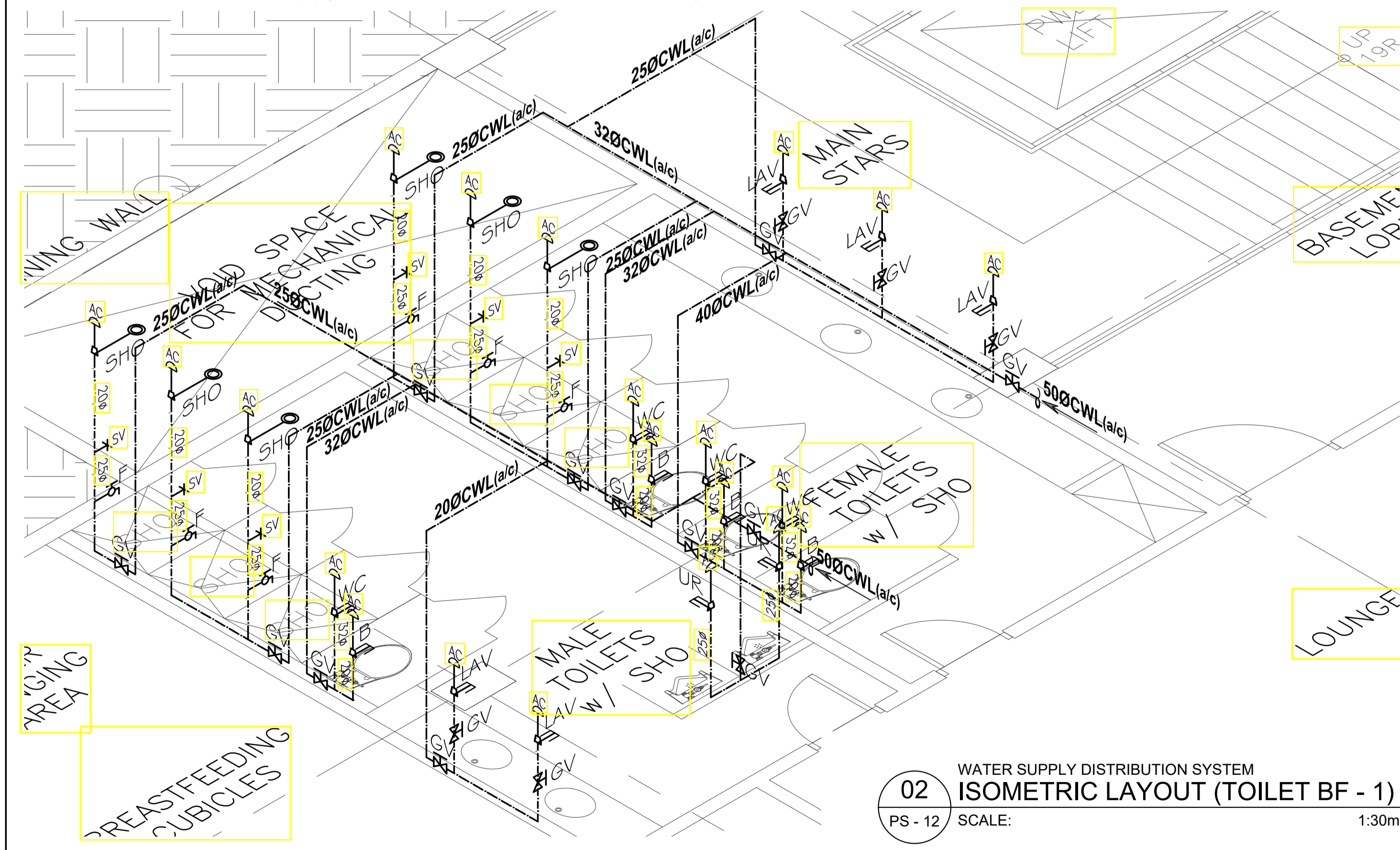
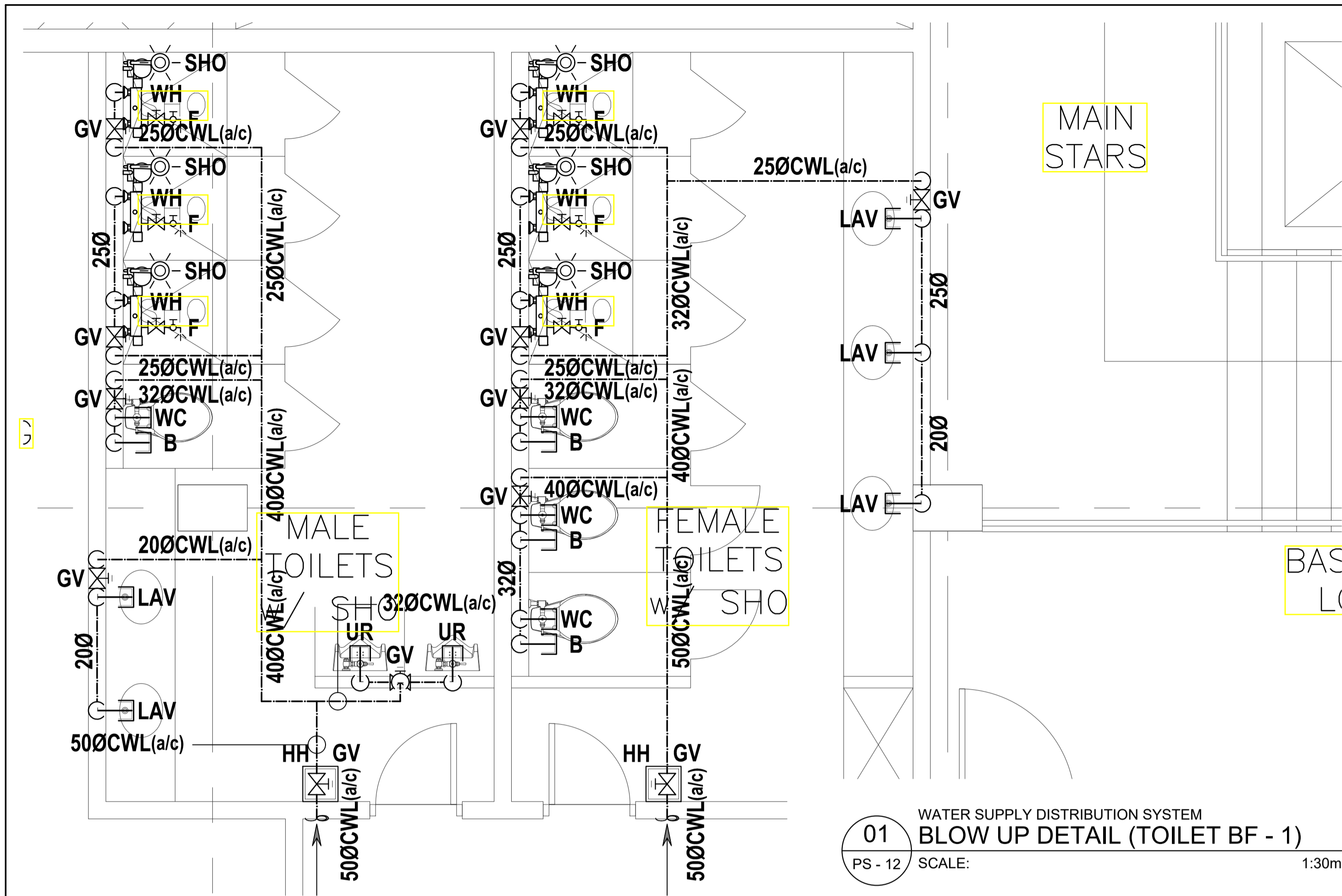
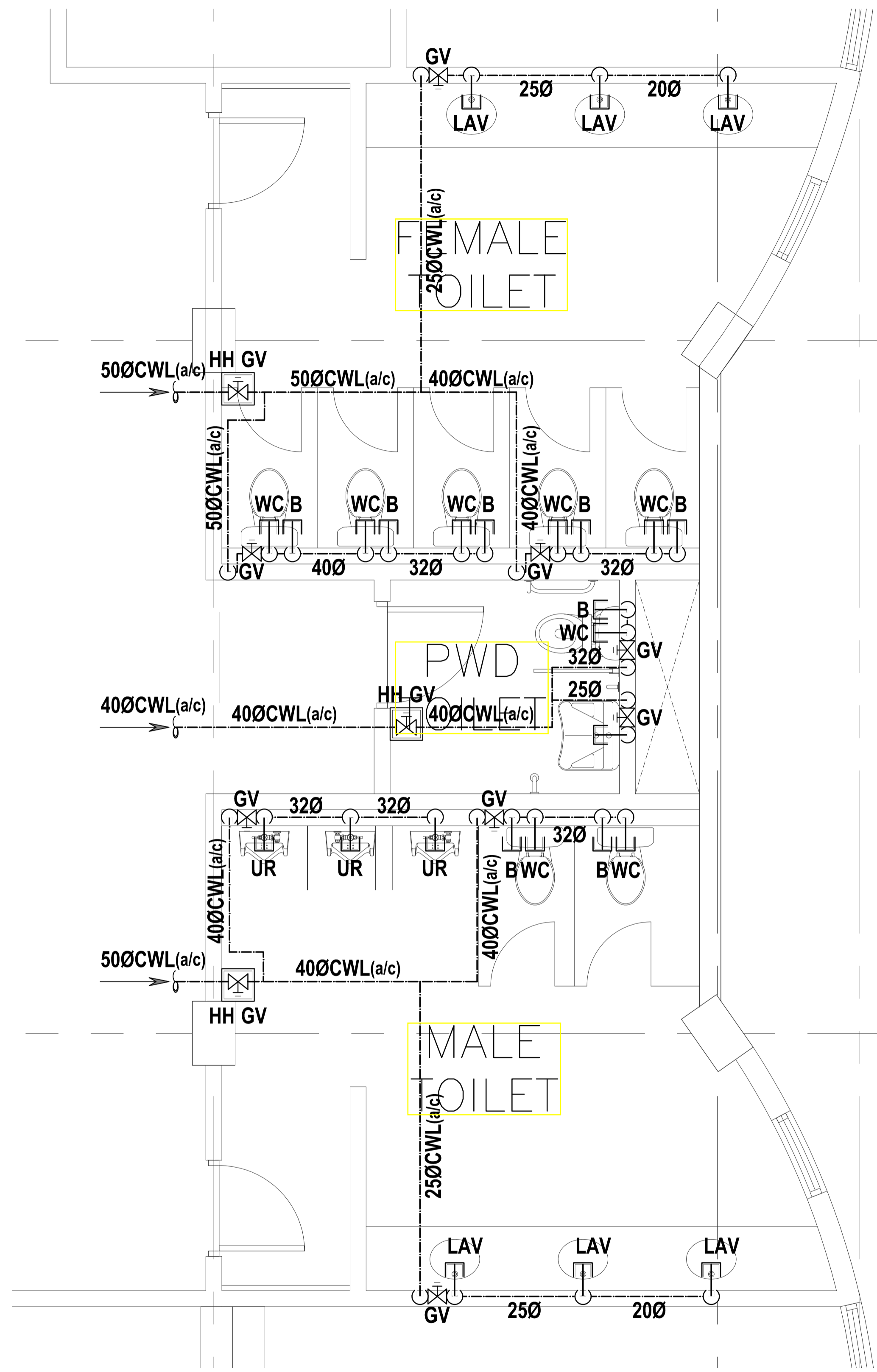


GENERAL NOTES: PROVIDE PLUMBING STUB OUT FOR BASEMENT AND GROUND FLOOR

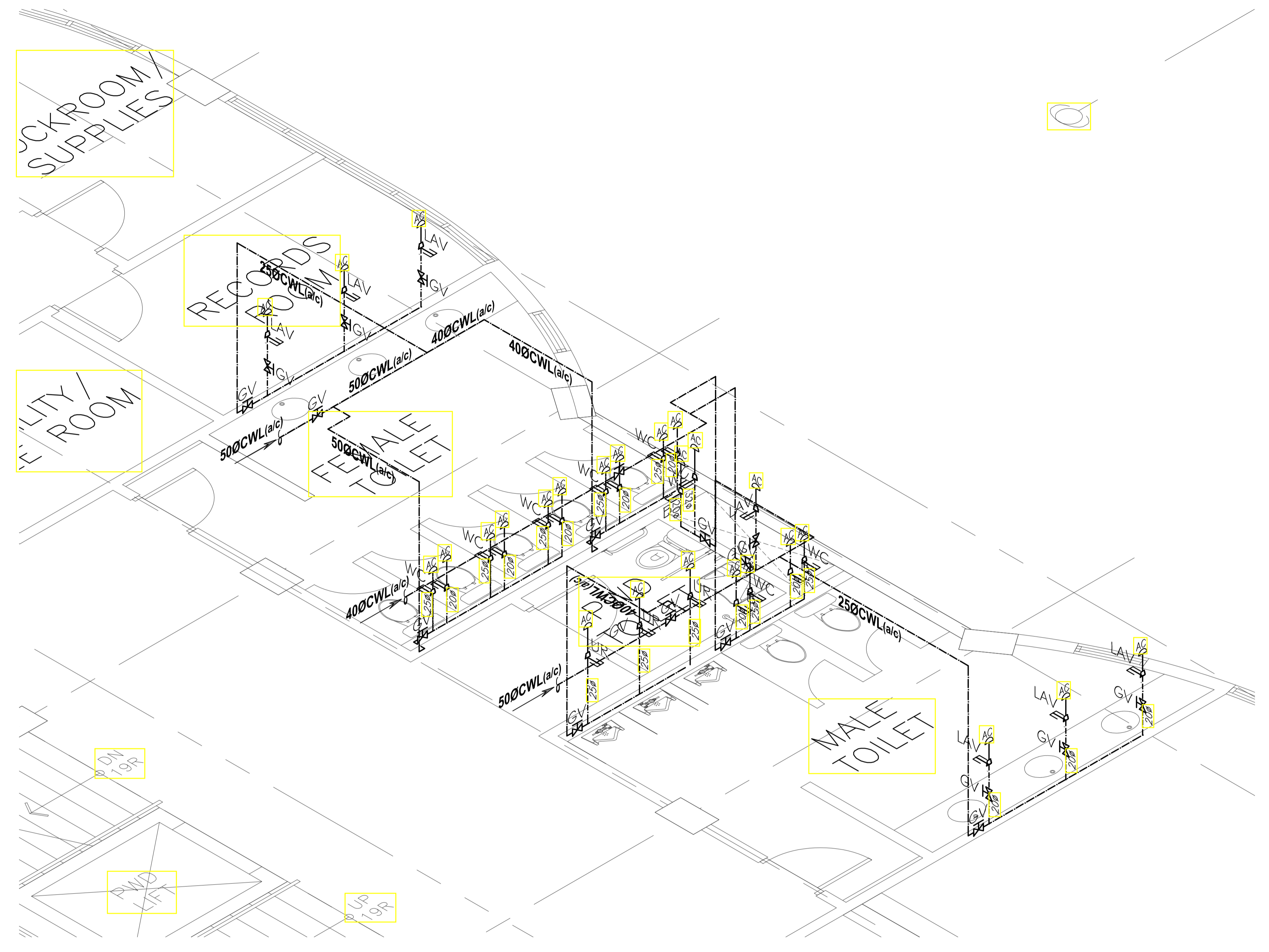


<p>ENRIQUE O. OLANON & ASSOCIATES ARCHITECTS ENGINEERS CONSULTANTS</p> <p><i>IN JOINT VENTURE WITH</i></p> <p>ENRIQUE O. OLANON & ASSOCIATES, CO. ARCHITECTS ENGINEERS CONSULTANTS</p>	<p>ENGINEER:</p> <p>VICTORIA ADEKER SANITARY ENGINEER</p>	<p>REPUBLIC ACT 9266</p> <p><small>DRAWINGS AND SPECIFICATIONS AND OTHER CONTRACT DOCUMENTS DULY SIGNED, STAMPED OR SEALED, AS INSTRUMENTS OF SERVICE, ARE THE INTELLECTUAL PROPERTY AND DOCUMENT OF THE ARCHITECT. WHETHER THE OBJECT FOR WHICH THEY ARE MADE IS EXECUTED OR NOT, IT SHALL BE UNLAWFUL FOR ANY PERSON TO DUPLICATE OR TO MAKE COPIES OF SAID DOCUMENTS FOR USE IN THE REPRODUCTION OF AND FOR OTHER PROJECTS OR BUILDINGS, WHETHER EXECUTED PARTY OR IN WHOLE, WITHOUT THE WRITTEN CONSENT OF ARCHITECT OR AUTHOR OF SAID DOCUMENT.</small></p>	<p>PROJECT:</p> <p>PROPOSED ACADEMIC BUILDING II</p>	<p>DESIGNED FOR:</p> <p>REPUBLIC OF THE PHILIPPINES PHILIPPINE SCIENCE HIGH SCHOOL - MIMAROPA REGIONAL CAMPUS</p>	<p>RECOMMENDING APPROVAL:</p> <p>MERIAM F. FALLAR FAD CHIEF</p>	<p>APPROVED BY:</p> <p>EDWARD C. ALBARACIN CAMPUS DIRECTOR</p>	<p>SHEET CONTENTS:</p> <p>BLOW UP DETAIL & ISOMETRIC LAYOUT - WATER SUPPLY DISTRIBUTION SYSTEM</p>	<p>SHEET NO:</p> <p>PS 12 21</p>
	<p>SUITE 305 XAVIERVILLE SQUARE CONDOMINIUM NO. 38 XAVIERVILLE AVENUE, LORONA HEIGHTS, QUEZON CITY, 1108 TEL. NOS: 426 7009; 426 9044 FAX NOS: 927 0608; 426 7214</p> <p>PRC No.: 0001927 PTR No.: 4580635 PRC Validity: March 23, 2024 PTR Date: January 07, 2021 TIN No.: 1108-318-662 PTR Place: Pasay City</p>	<p>LOCATION: Brgy. Rizal, Odiangan, Romblon</p>						

GENERAL NOTES: PROVIDE PLUMBING STUB OUT FOR BASEMENT AND GROUND FLOOR



01 WATER SUPPLY DISTRIBUTION SYSTEM
BLOW UP DETAIL (TOILET C - 1)
PS - 13 SCALE: 1:30m



02 WATER SUPPLY DISTRIBUTION SYSTEM
ISOMETRIC LAYOUT (TOILET C - 1)
PS - 13 SCALE: 1:30m

ENRIQUE O. OLONAN & ASSOCIATES
ARCHITECTS ENGINEERS CONSULTANTS

IN JOINT VENTURE WITH

ENRIQUE O. OLONAN & ASSOCIATES, CO.
ARCHITECTS ENGINEERS CONSULTANTS

SUITE 305
XAVIERVILLE SQUARE
CONDOMINIUM
NO. 38 XAVIERVILLE
AVENUE, LAYOGA HEIGHTS,
QUEZON CITY, 1108
TEL NOS: 426 7009;
426 90044
FAX NOS: 927 0608;
426 7214

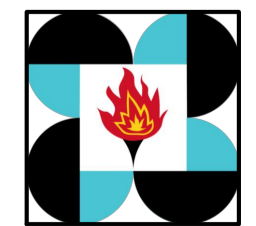
ENGINEER: VICTORIA ADEGER SANITARY ENGINEER	
PRC No.: 0001927	PTR No.: 4580635
PRC Validity: March 23, 2024	PTR Date: January 07, 2021
TIN No.: 1108-318-662	PTR Place: Pasay City

REPUBLIC ACT 9266
DRAWINGS AND SPECIFICATIONS AND OTHER CONTRACT DOCUMENTS DULY SIGNED, STAMPED OR SEALED, AS INSTRUMENTS OF SERVICE, ARE THE INTELLECTUAL PROPERTY AND DOCUMENT OF THE ARCHITECT. WHETHER THE OBJECT FOR WHICH THEY ARE MADE IS EXECUTED OR NOT, IT SHALL BE UNLAWFUL FOR ANY PERSON TO DUPLICATE OR TO MAKE COPIES OF SAID DOCUMENTS FOR USE IN THE REPUTATION OF AND FOR OTHER PROJECTS OR BUILDINGS, WHETHER EXECUTED PARTLY OR IN WHOLE, WITHOUT THE WRITTEN CONSENT OF ARCHITECT OR AUTHOR OF SAID DOCUMENT.

PROJECT:
PROPOSED ACADEMIC BUILDING II

LOCATION: Brgy. Rizal, Odiangan, Romblon

DESIGNED FOR:



REPUBLIC OF THE PHILIPPINES
PHILIPPINE SCIENCE HIGH SCHOOL -
MIMAROPA REGIONAL CAMPUS

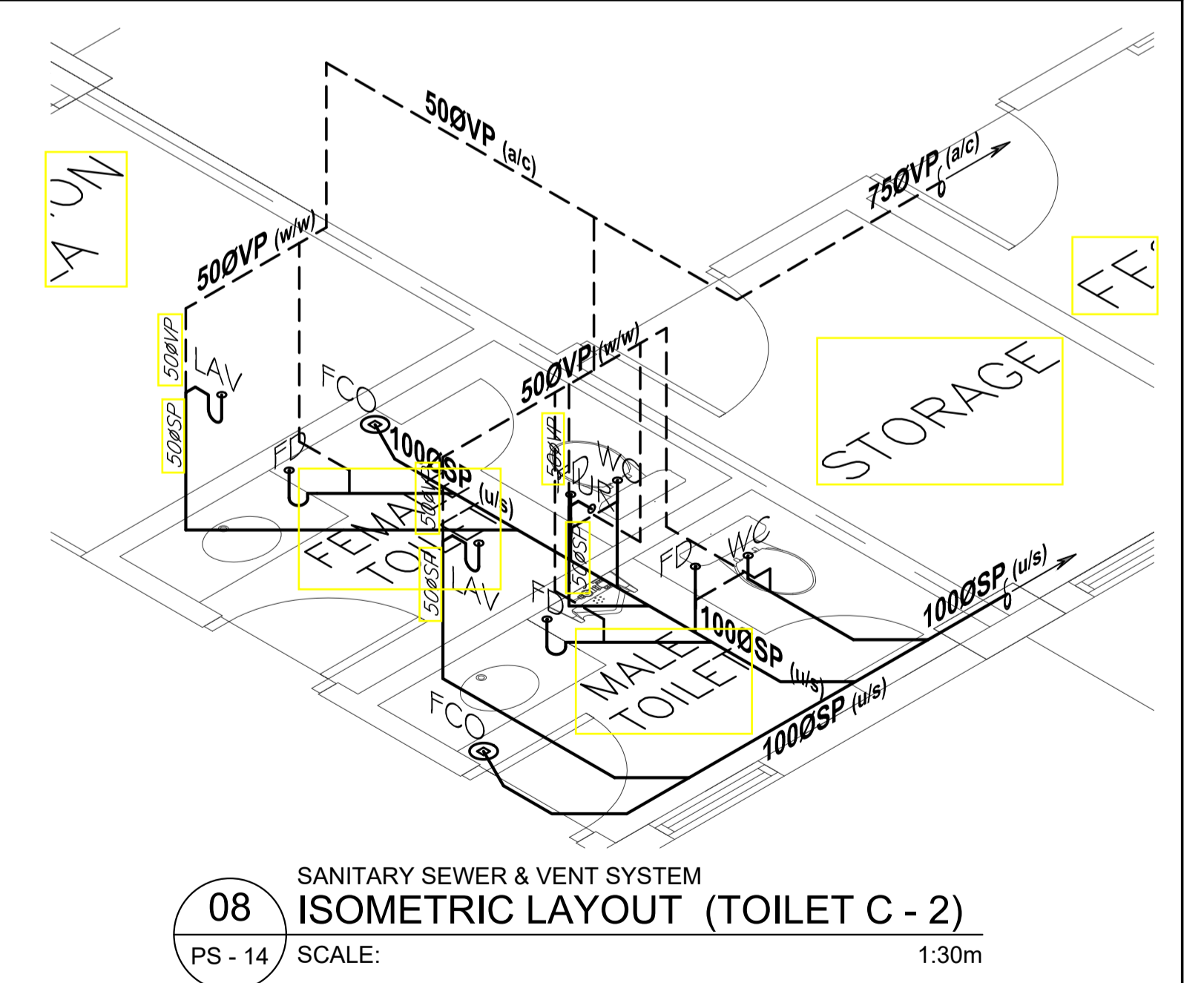
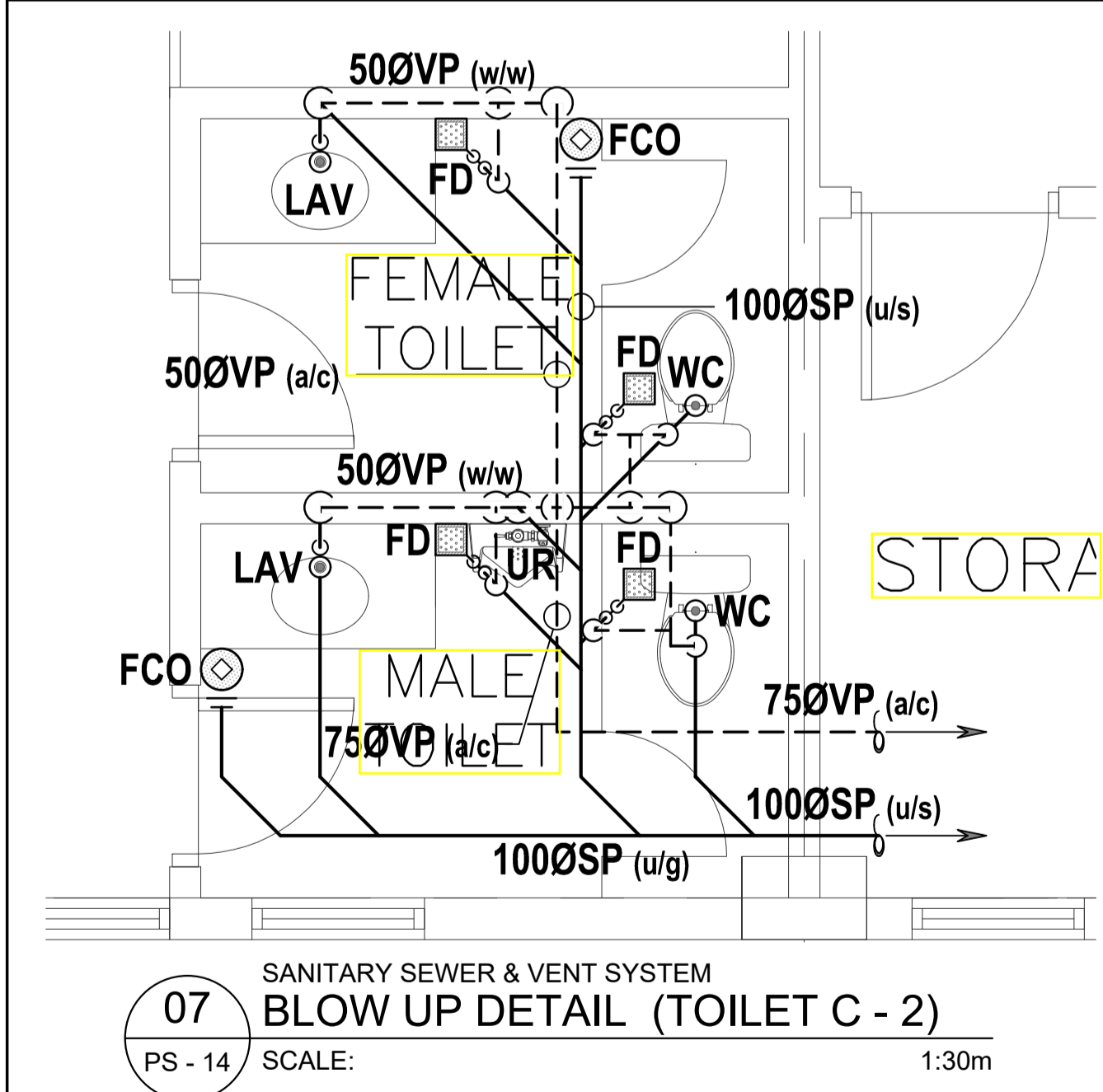
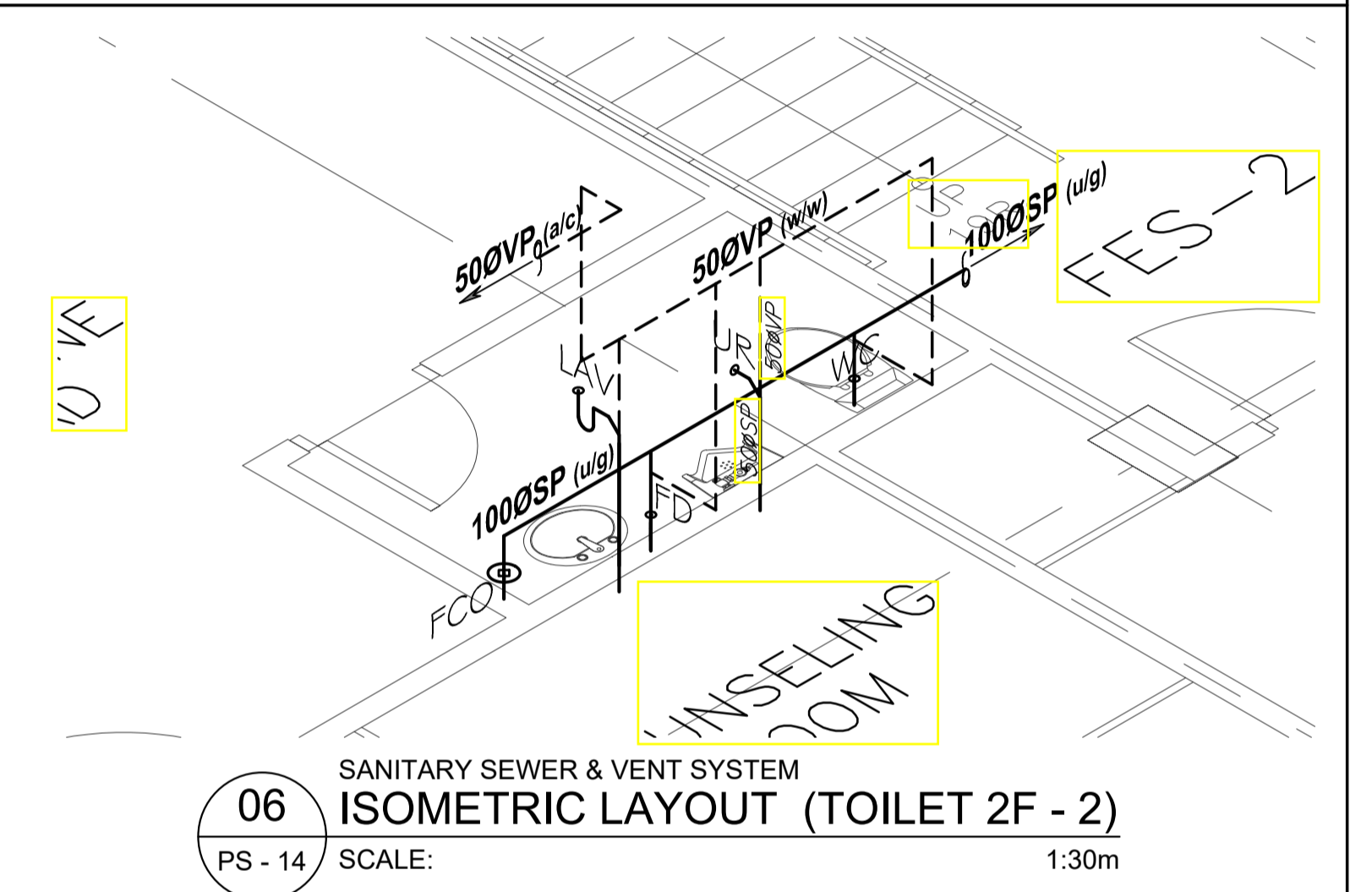
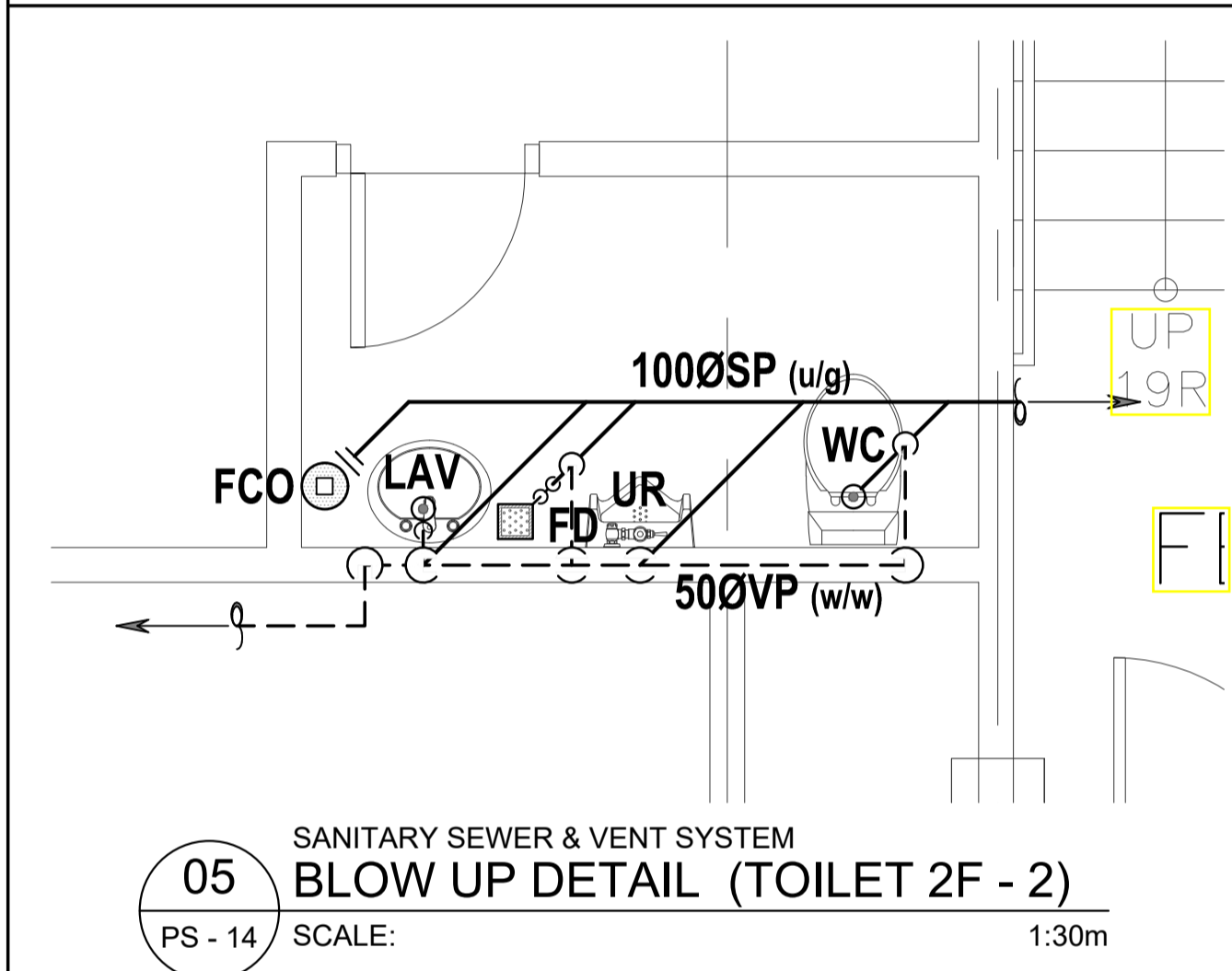
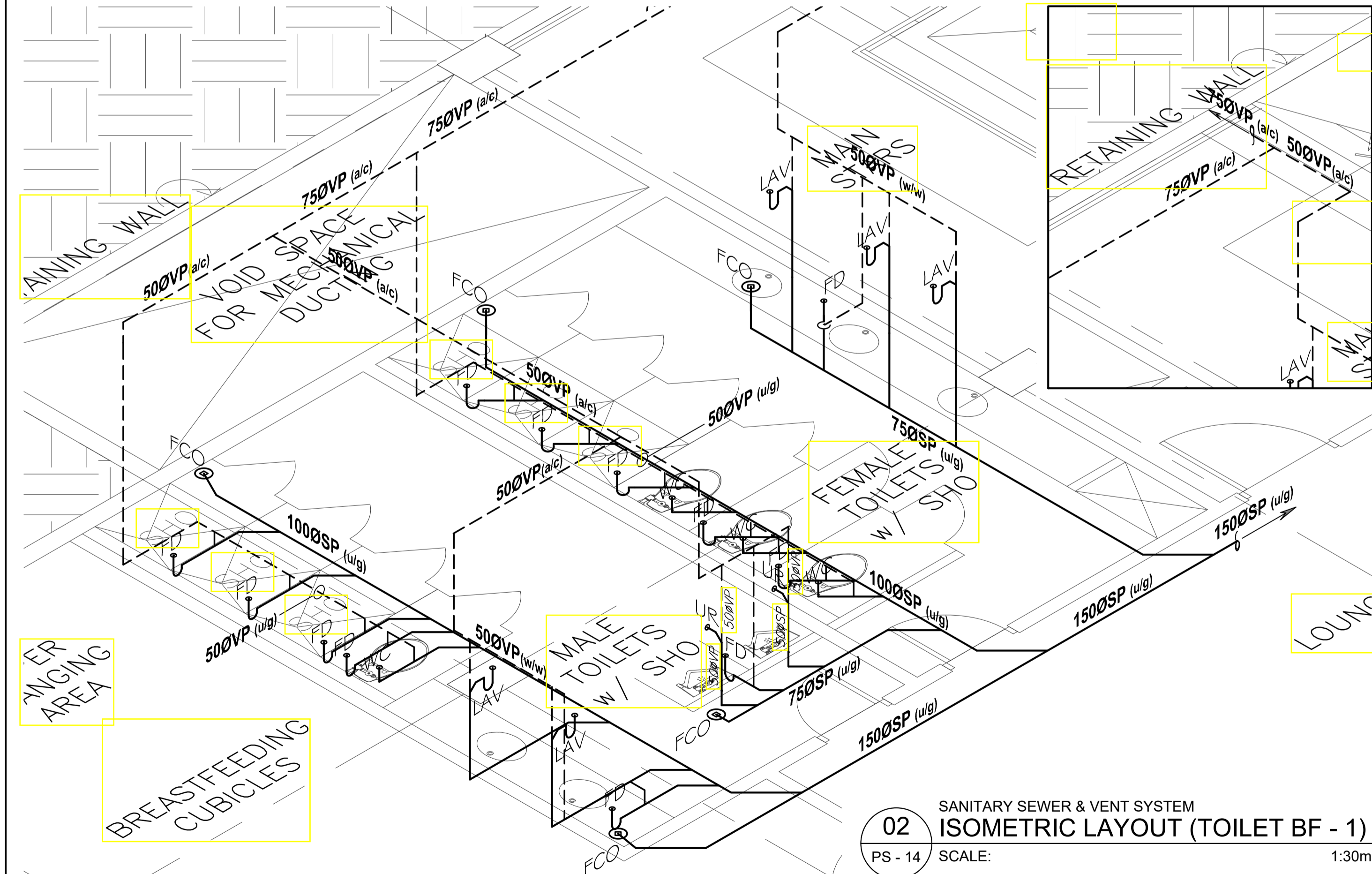
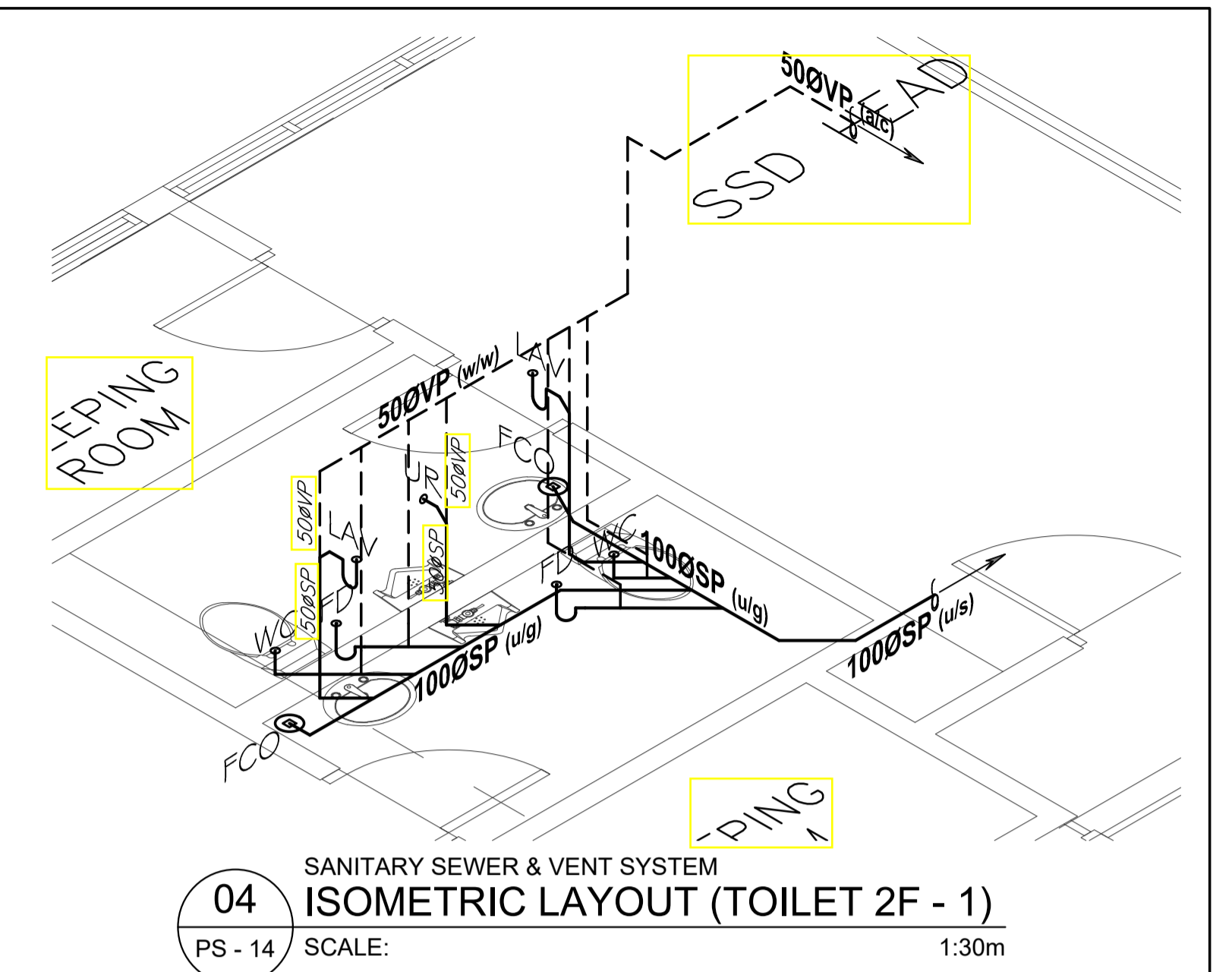
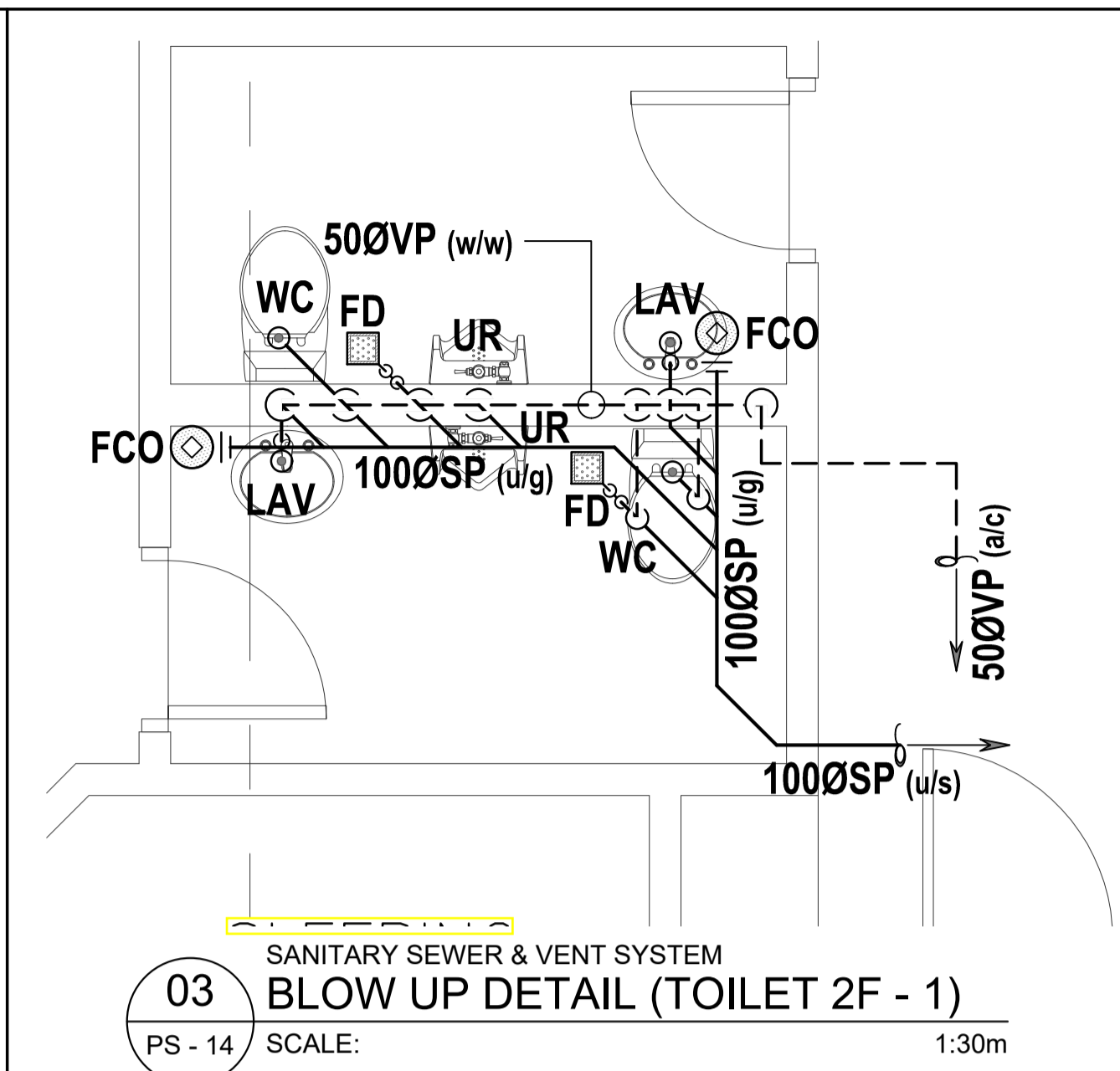
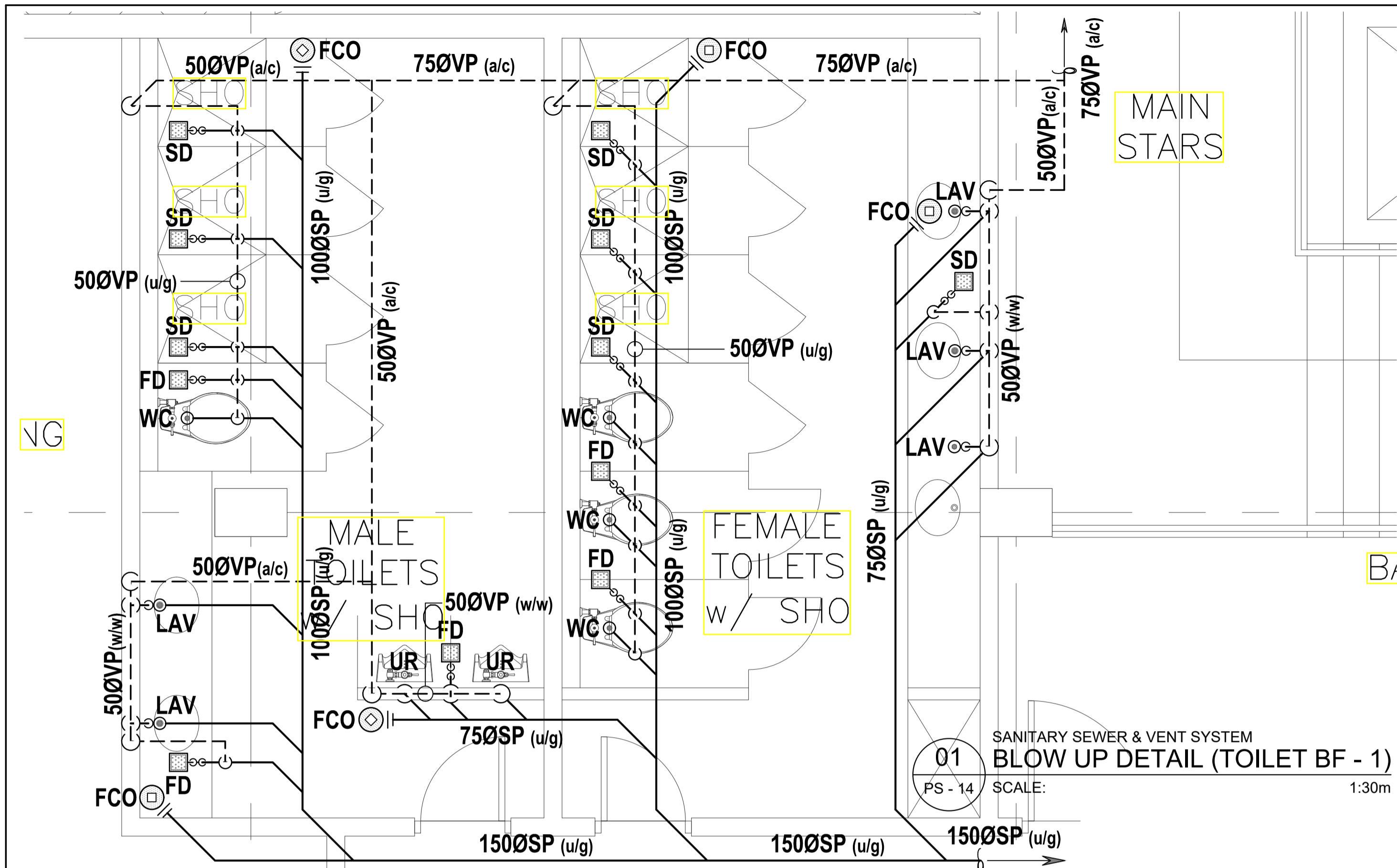
RECOMMENDING APPROVAL:
MERIAM F. FALLAR
FAD CHIEF

APPROVED BY:
EDWARD C. ALBARACIN
CAMPUS DIRECTOR

SHEET CONTENTS:
BLOW UP DETAIL & ISOMETRIC LAYOUT
- WATER SUPPLY DISTRIBUTION SYSTEM

SHEET NO:
PS 13 21

GENERAL NOTES: PROVIDE PLUMBING STUB OUT FOR BASEMENT AND GROUND FLOOR



ENRIQUE O. OLONAN & ASSOCIATES
ARCHITECTS ENGINEERS CONSULTANTS

SUITE 305 XAVIERVILLE SQUARE CONDOMINIUM
NO. 38 XAVIERVILLE AVE., LOYOLA HEIGHTS, QUEZON CITY, 1108
TEL. NOS.: 426 7009; 426 3002 TO 04
FAX NOS.: 927 0608; 426 7214

ENGINEER:	
SANITARY ENGINEER	
PRC No. _____	PTR No. _____
PRC Validity _____	PTR Date _____
TIN No. _____	PTR Place _____

REPUBLIC ACT 9266
DRAWINGS AND SPECIFICATIONS AND OTHER CONTRACT DOCUMENTS DULY SIGNED, STAMPED OR SEALED, AS INSTRUMENTS OF SERVICE, ARE THE INTELLECTUAL PROPERTY AND DOCUMENT OF THE ARCHITECT. WHETHER THE OBJECT FOR WHICH THEY ARE MADE IS EXECUTED OR NOT, IT SHALL BE UNLAWFUL FOR ANY PERSON TO DUPLICATE OR TO MAKE COPIES OF SAID DOCUMENTS FOR USE IN THE REPEITION OF AND FOR OTHER PROJECTS OR BUILDINGS, WHETHER EXECUTED PARTLY OR IN WHOLE, WITHOUT THE WRITTEN CONSENT OF ARCHITECT OR AUTHOR OF SAID DOCUMENT.

PROJECT:
PROPOSED ACADEMIC BUILDING II / MULTI-PURPOSE GYMNASIUM

LOCATION: Brgy. Rizal, Odiangan, Romblon

DESIGNED FOR:

REPUBLIC OF THE PHILIPPINES
PHILIPPINE SCIENCE HIGH SCHOOL - MIMAROPA REGIONAL CAMPUS

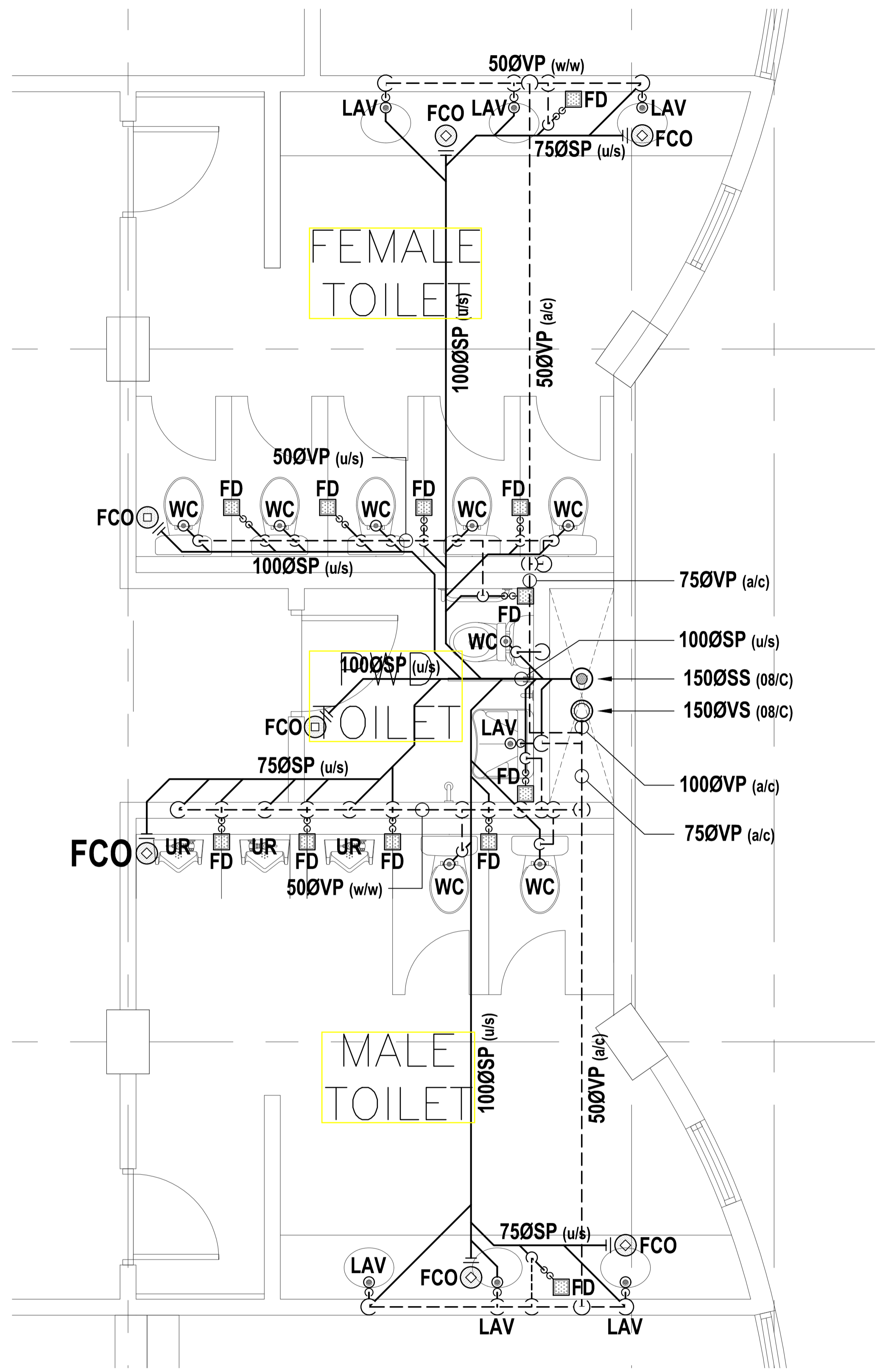
RECOMMENDING APPROVAL:
MERIAM F. FALLAR
FAD CHIEF

APPROVED BY:
EDWARD C. ALBARACIN
CAMPUS DIRECTOR

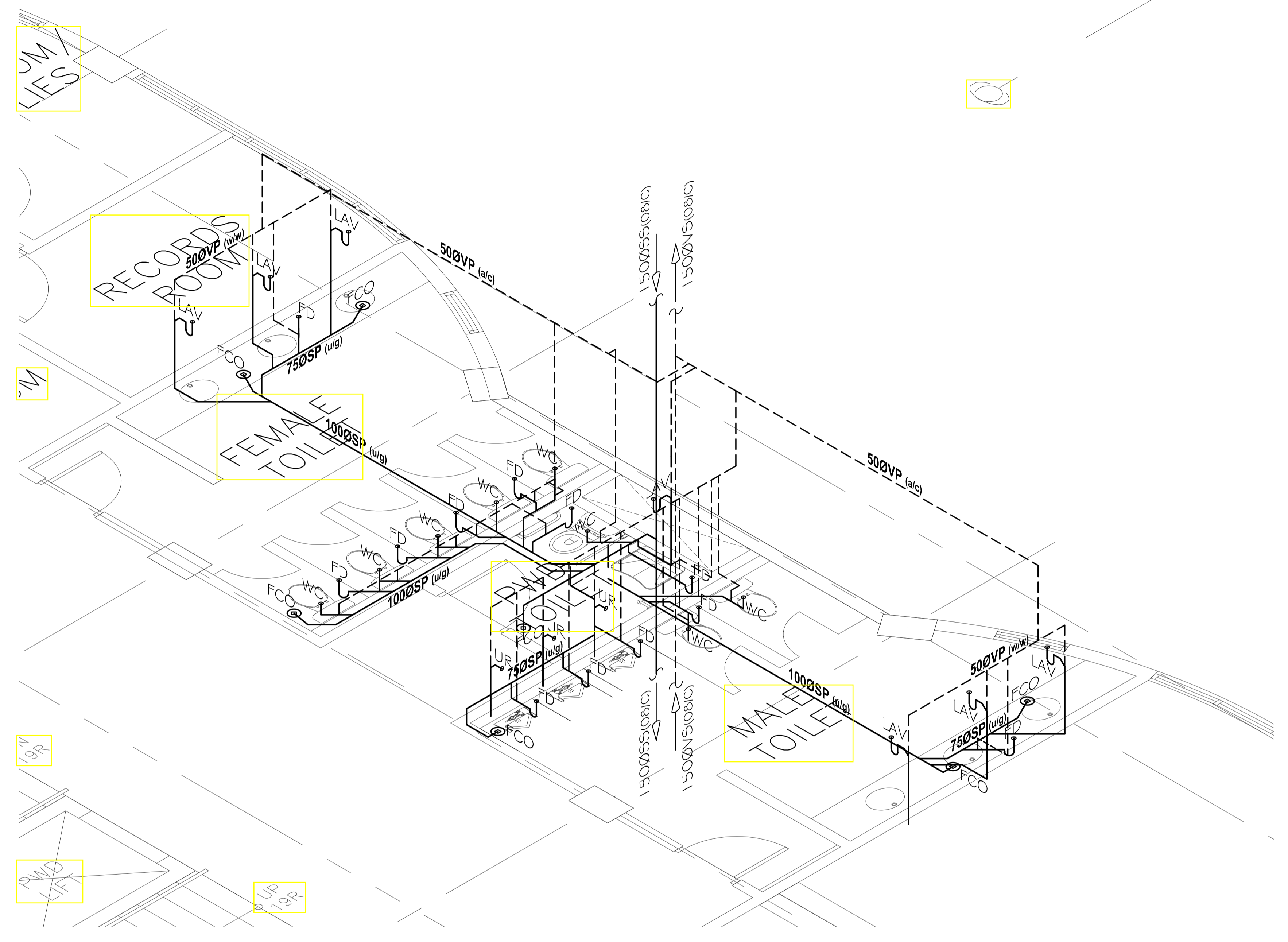
SHEET CONTENTS:
BLOW UP DETAIL & ISOMETRIC LAYOUT - SANITARY SEWER & VENT SYSTEM

SHEET NO:
PS 14 21

GENERAL NOTES: PROVIDE PLUMBING STUB OUT FOR BASEMENT AND GROUND FLOOR



01 SANITARY SEWER & VENT SYSTEM
BLOW UP DETAIL (TOILET C - 1)
PS - 15 SCALE: 1:30m



02 SANITARY SEWER & VENT SYSTEM
ISOMETRIC LAYOUT (TOILET C - 1)
PS - 15 SCALE: 1:30m

ENRIQUE O. OLONAN & ASSOCIATES
ARCHITECTS ENGINEERS CONSULTANTS

SUITE 305 XAVIERVILLE SQUARE CONDOMINIUM
NO. 38 XAVIERVILLE AVE., LOYOLA HEIGHTS, QUEZON CITY, 1108
TEL. NOS.: 426 7009; 426 3002 TO 04
FAX NOS.: 927 6608; 426 7214

ENGINEER:	
SANITARY ENGINEER	
PRC No. :	PRR No. :
PRC Validity :	PRR Date :
TIN No. :	PRR Place :

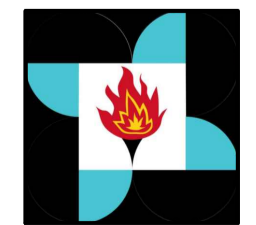
REPUBLIC ACT 9266
DRAWINGS AND SPECIFICATIONS AND OTHER CONTRACT DOCUMENTS DULY SIGNED, STAMPED OR SEALED, AS INSTRUMENTS OF SERVICE, ARE THE INTELLECTUAL PROPERTY AND DOCUMENT OF THE ARCHITECT. WHETHER THE OBJECT FOR WHICH THEY ARE MADE IS EXECUTED OR NOT, IT SHALL BE UNLAWFUL FOR ANY PERSON TO DUPLICATE OR TO MAKE COPIES OF SAID DOCUMENTS FOR USE IN THE REPEITION OF AND FOR OTHER PROJECTS OR BUILDINGS, WHETHER EXECUTED PARTY OR IN WHOLE, WITHOUT THE WRITTEN CONSENT OF ARCHITECT OR AUTHOR OF SAID DOCUMENT.

PROJECT:

**PROPOSED
ACADEMIC BUILDING II /
MULTI-PURPOSE GYMNASIUM**

LOCATION: Brgy. Rizal, Odiongan, Romblon

DESIGNED FOR:



REPUBLIC OF THE PHILIPPINES
PHILIPPINE SCIENCE HIGH SCHOOL -
MIMAROPA REGIONAL CAMPUS

RECOMMENDING APPROVAL:

MERIAM F. FALLAR
FAD CHIEF

APPROVED BY:

EDWARD C. ALBARACIN
CAMPUS DIRECTOR

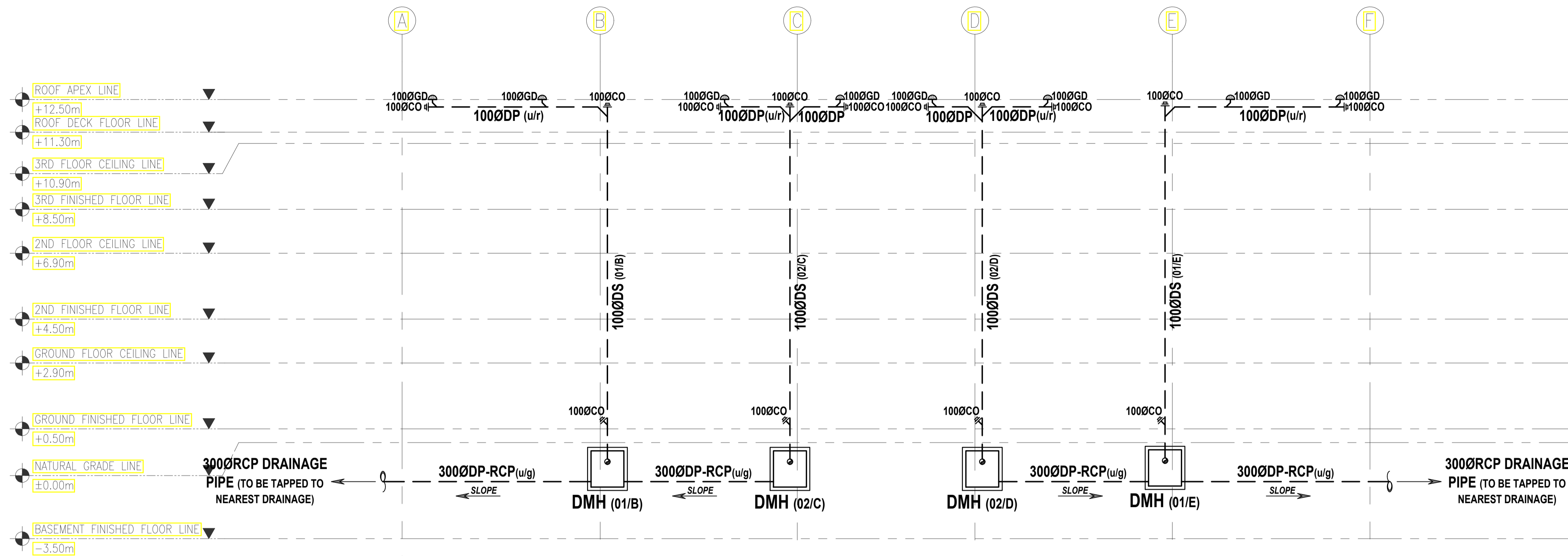
SHEET CONTENTS:

BLOW UP DETAIL & ISOMETRIC LAYOUT
- SANITARY SEWER & VENT SYSTEM

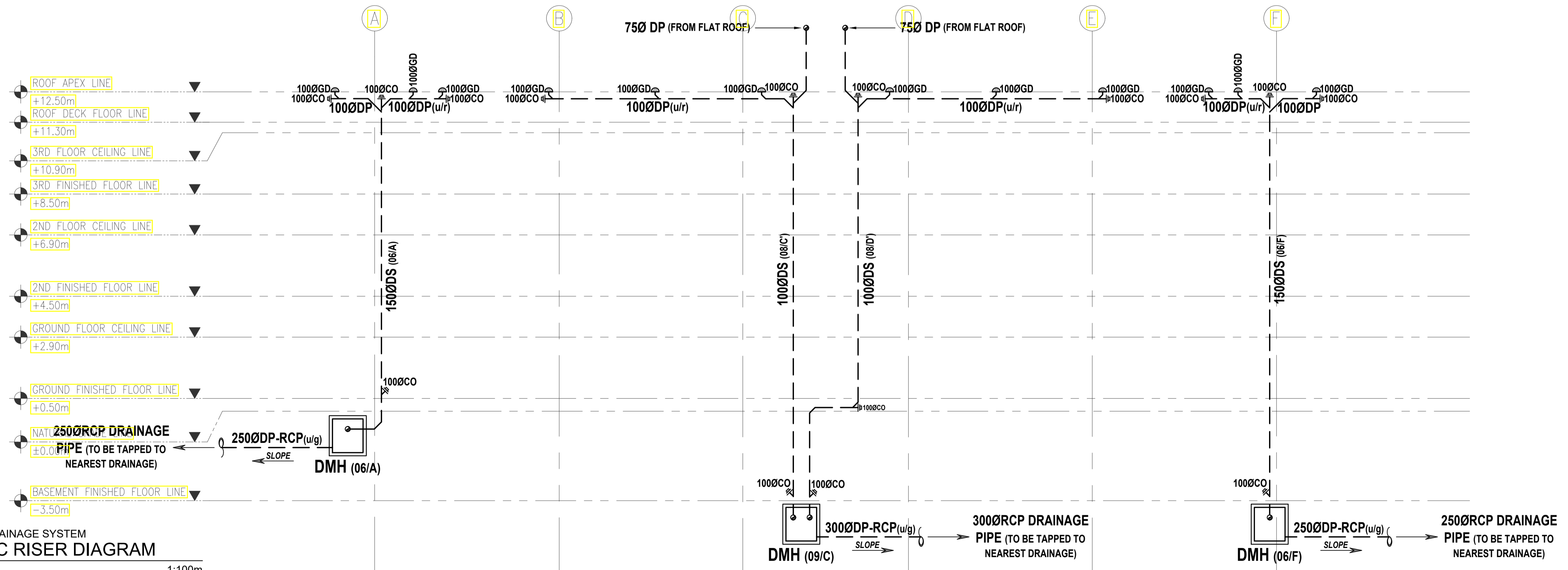
SHEET NO:

PS
15 21

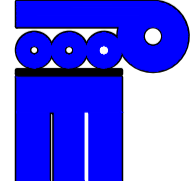
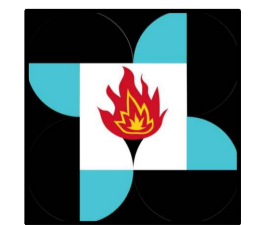
GENERAL NOTES: PROVIDE PLUMBING STUB OUT FOR BASEMENT AND GROUND FLOOR



01 STORMWATER DRAINAGE SYSTEM
SCHEMATIC RISER DIAGRAM
 PS - 16 SCALE: 1:100m



02 STORMWATER DRAINAGE SYSTEM
SCHEMATIC RISER DIAGRAM
 PS - 17 SCALE: 1:100m

 ENRIQUE O. OLONAN & ASSOCIATES ARCHITECTS ENGINEERS CONSULTANTS SUITE 305 XAVIERVILLE SQUARE CONDOMINIUM NO. 38 XAVIERVILLE AVE., LOYOLA HEIGHTS, QUEZON CITY, 1108 TEL. NOS.: 426 7009; 426 3002 TO 04 FAX NOS.: 927 0608; 426 7214	ENGINEER: SANITARY ENGINEER	REPUBLIC ACT 9266 DRAWINGS AND SPECIFICATIONS AND OTHER CONTRACT DOCUMENTS DULY SIGNED, STAMPED OR SEALED, AS INSTRUMENTS OF SERVICE, ARE THE INTELLECTUAL PROPERTY AND DOCUMENT OF THE ARCHITECT. WHETHER THE OBJECT FOR WHICH THEY ARE MADE IS EXECUTED OR NOT, IT SHALL BE UNLAWFUL FOR ANY PERSON TO DUPLICATE OR TO MAKE COPIES OF SAID DOCUMENTS FOR USE IN THE REPRODUCTION OF AND FOR OTHER PROJECTS OR BUILDINGS, WHETHER EXECUTED PARTY OR IN WHOLE, WITHOUT THE WRITTEN CONSENT OF ARCHITECT OR AUTHOR OF SAID DOCUMENT.	PROJECT: PROPOSED ACADEMIC BUILDING II / MULTI-PURPOSE GYMNASIUM LOCATION: Brgy. Rizal, Odiangan, Romblon	DESIGNED FOR:  REPUBLIC OF THE PHILIPPINES PHILIPPINE SCIENCE HIGH SCHOOL - MIMAROPA REGIONAL CAMPUS	RECOMMENDING APPROVAL: MERIAM F. FALLAR FAD CHIEF	APPROVED BY: EDWARD C. ALBARACIN CAMPUS DIRECTOR	SHEET CONTENTS: SCHEMATIC RISER DIAGRAM - STORMWATER DRAINAGE SYSTEM GRIDS 1 - 4 & 5 - 9	SHEET NO: PS 17 21
	PRC No. : PIR No. : PRC Validity : PIR Date : TIN No. : PIR Place :							

GENERAL NOTES: PROVIDE PLUMBING STUB OUT FOR BASEMENT AND GROUND FLOOR

TABLE OF DIMENSIONS (inches)

MODEL NO.	A	B	C	D	E	F	G	H
M-319-58A	2	3	1 13/16	2 1/2	2 3/8	2	2	5
M-319-58B	3	4	2 3/8	3 1/2	3 5/8	3	2	7
M-319-58C	4	5	3 3/4	4 1/2	4 1/8	4	2 1/2	9
M-319-58D	6	7 7/8	5 3/4	7 3/8	6 1/4	6	3 1/2	13

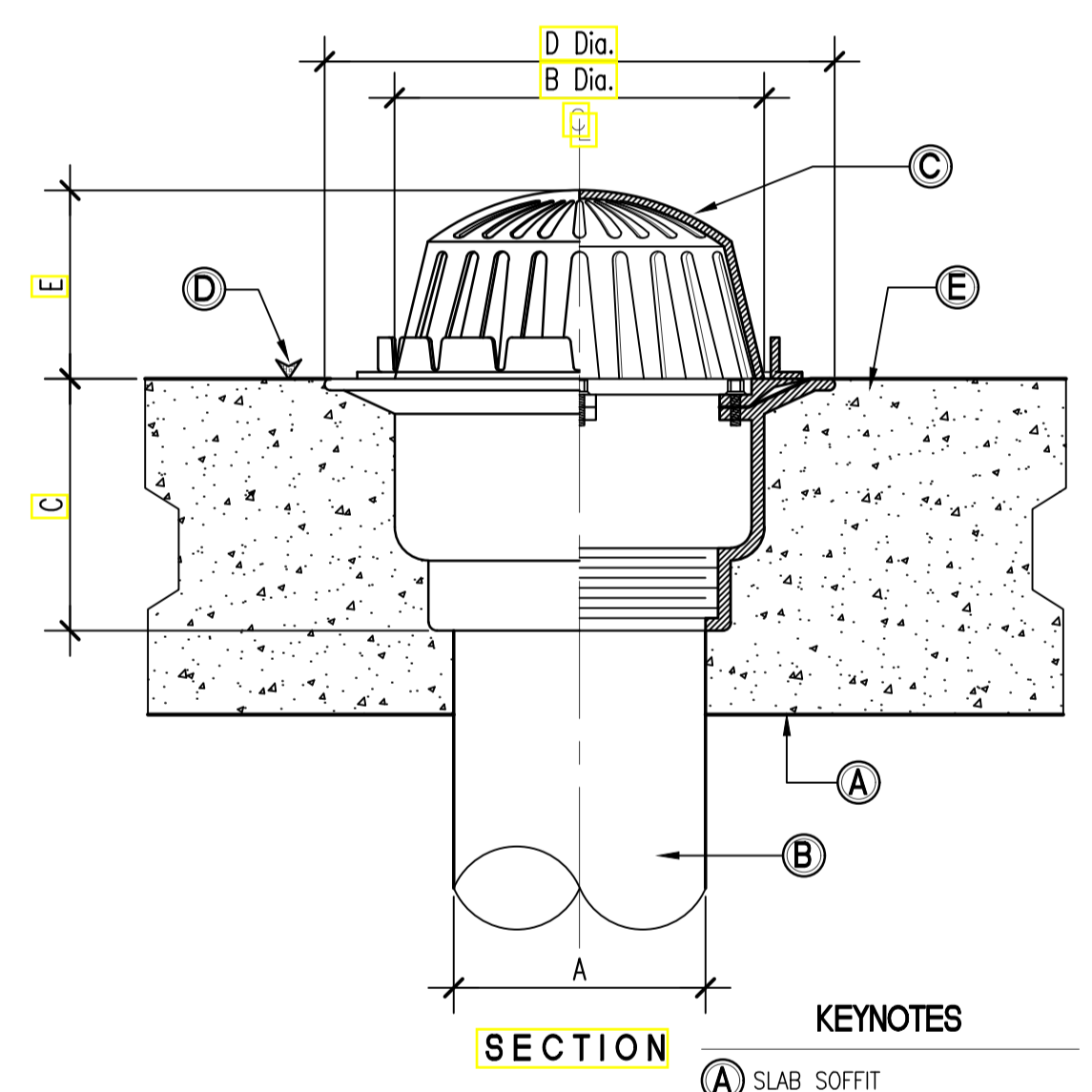
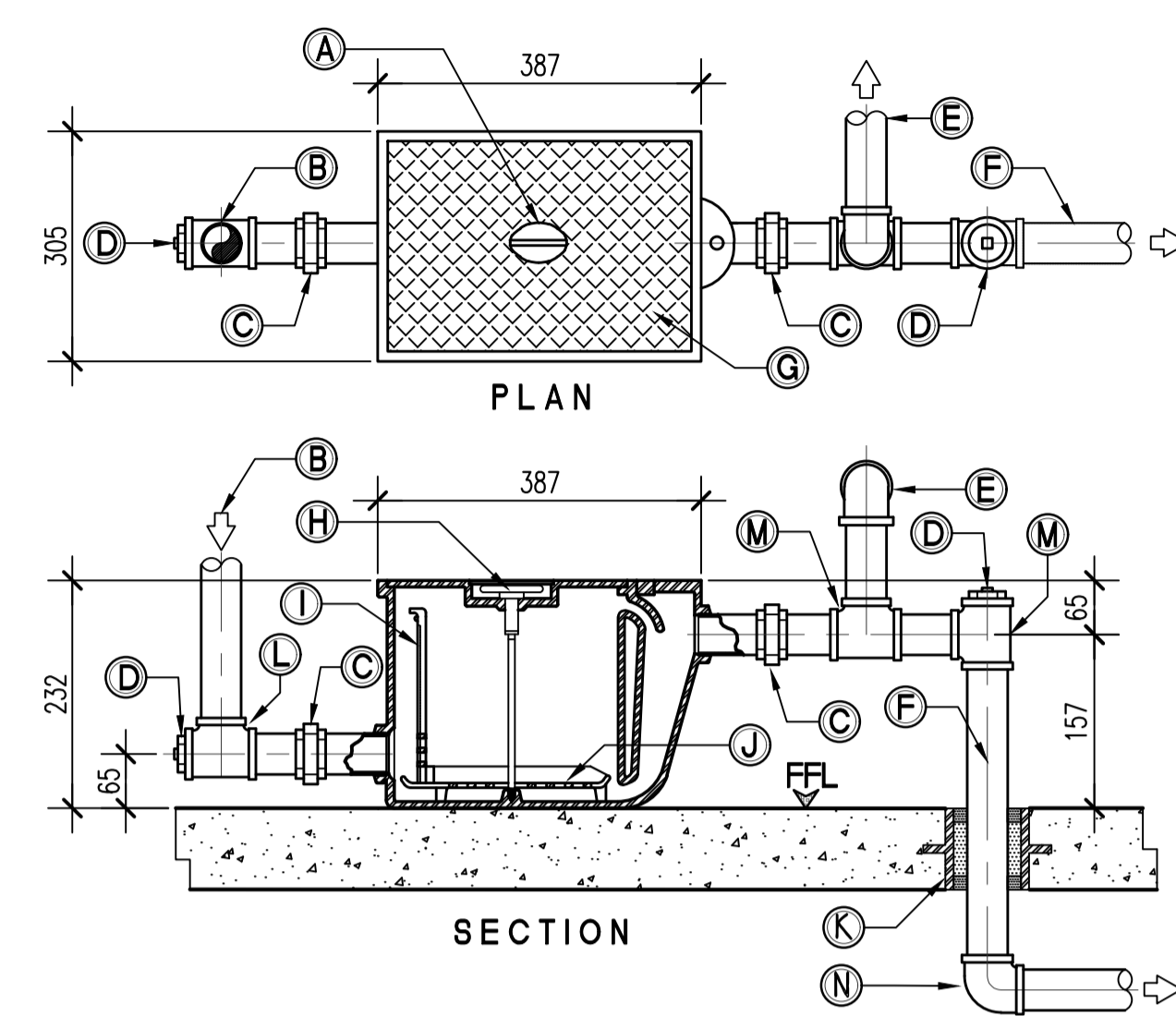
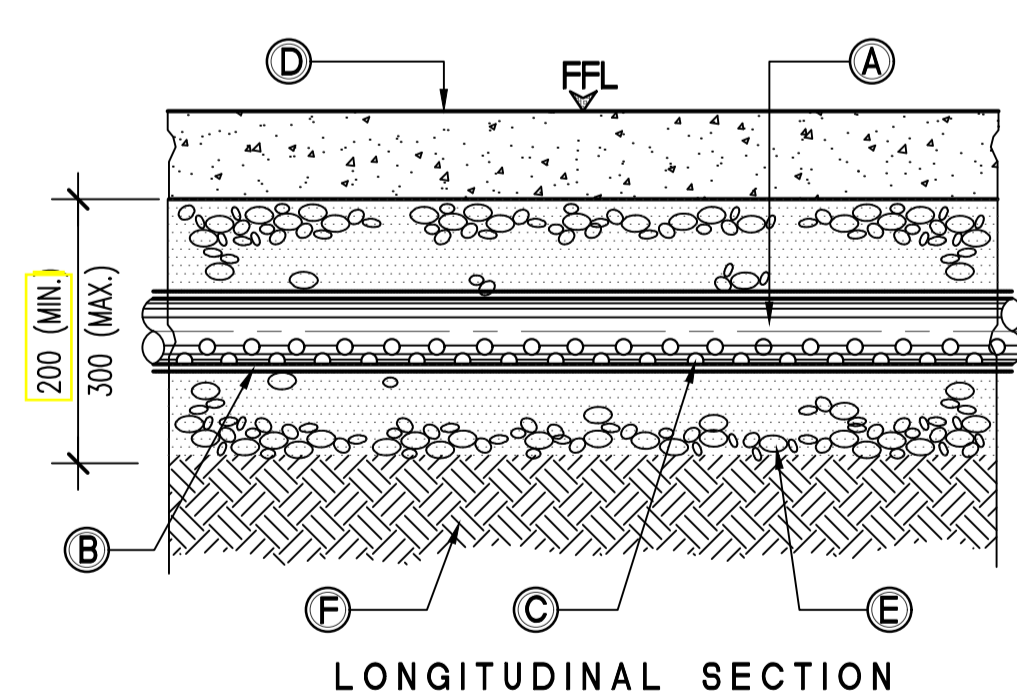
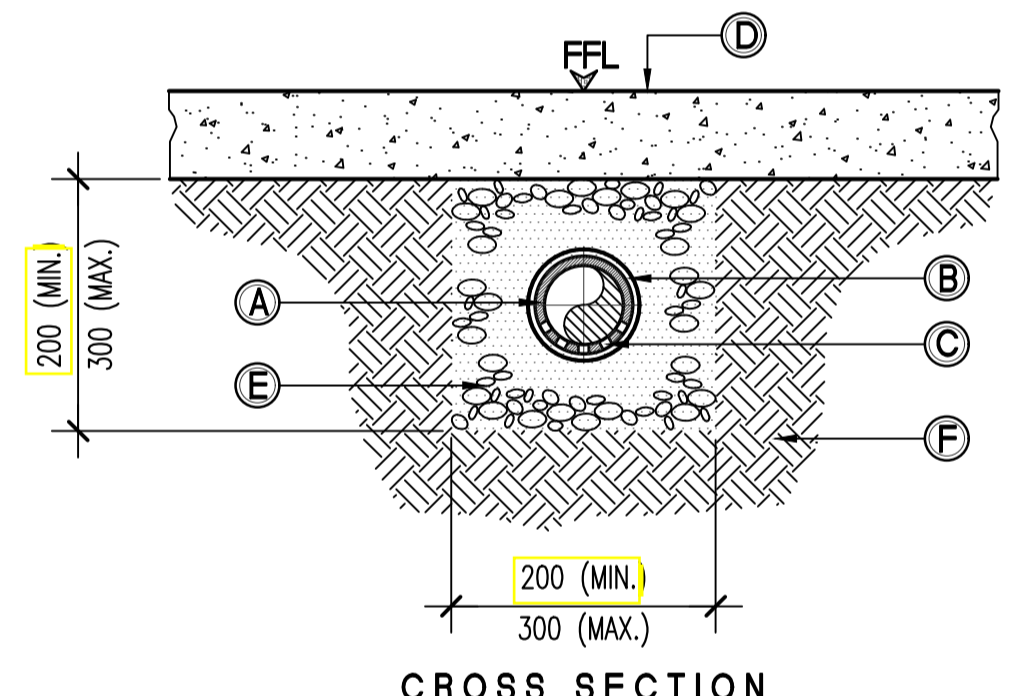
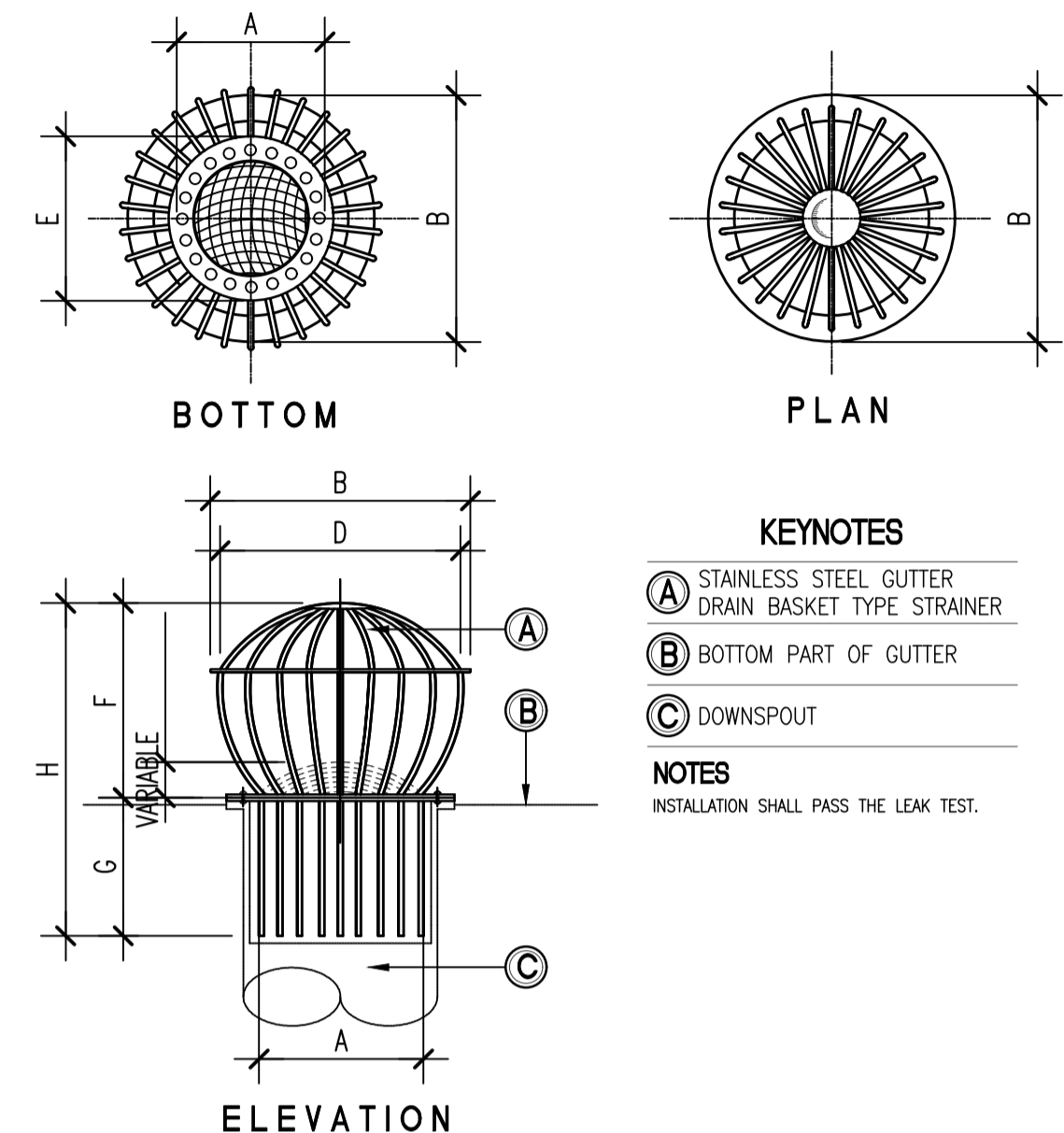
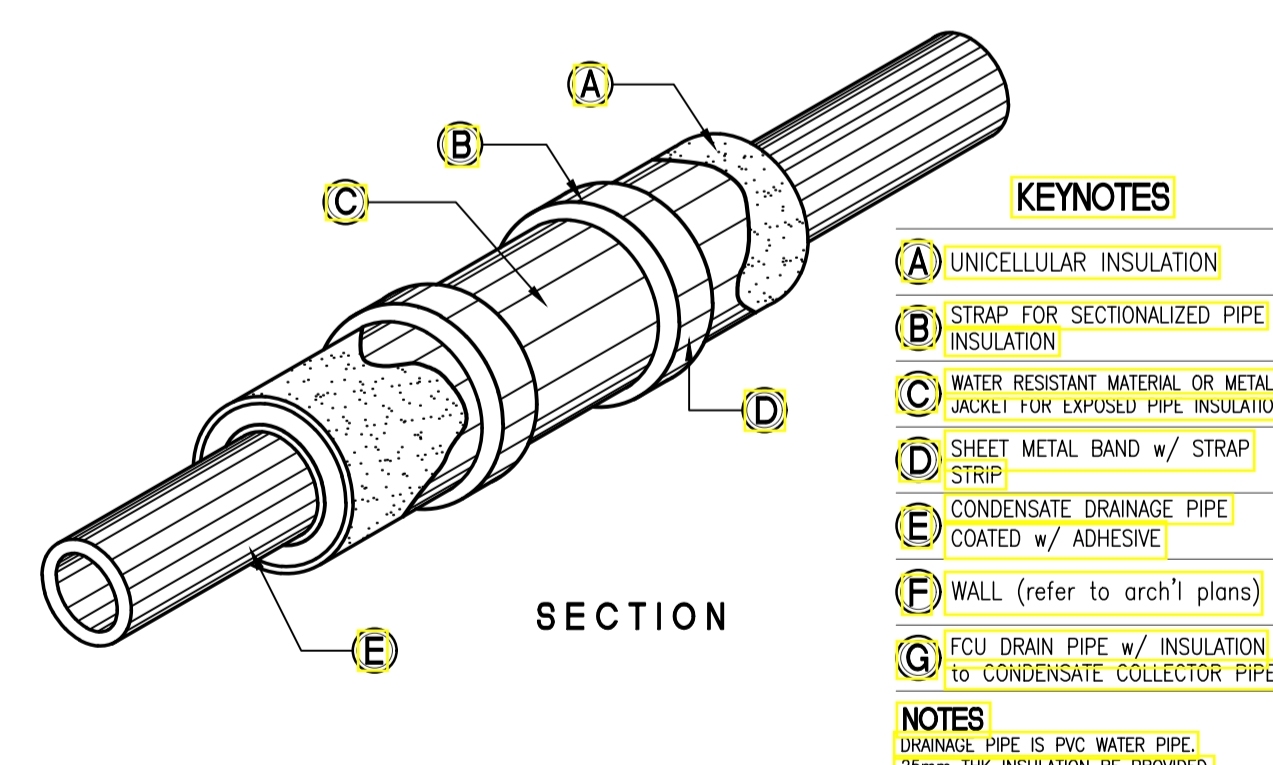
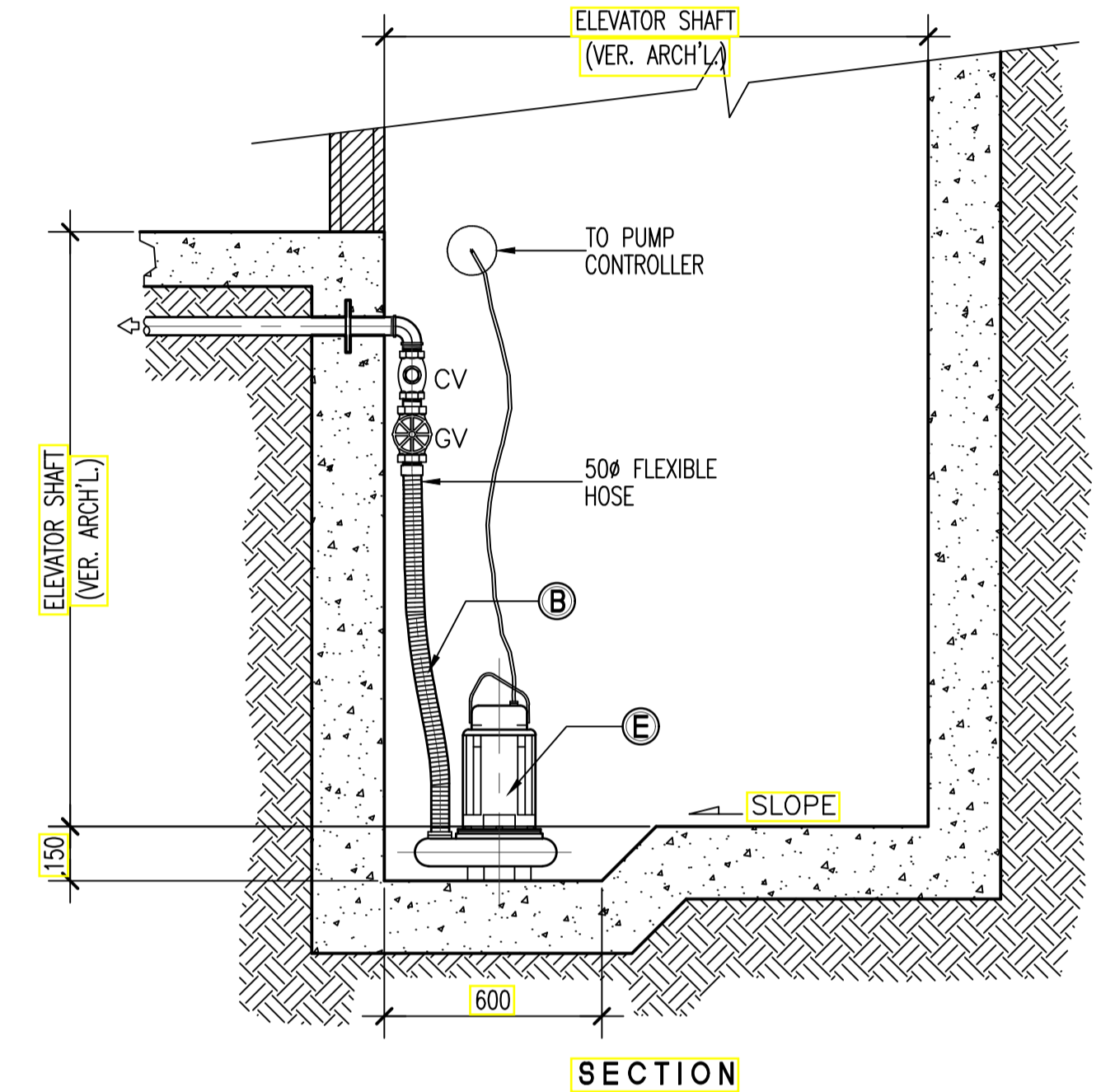
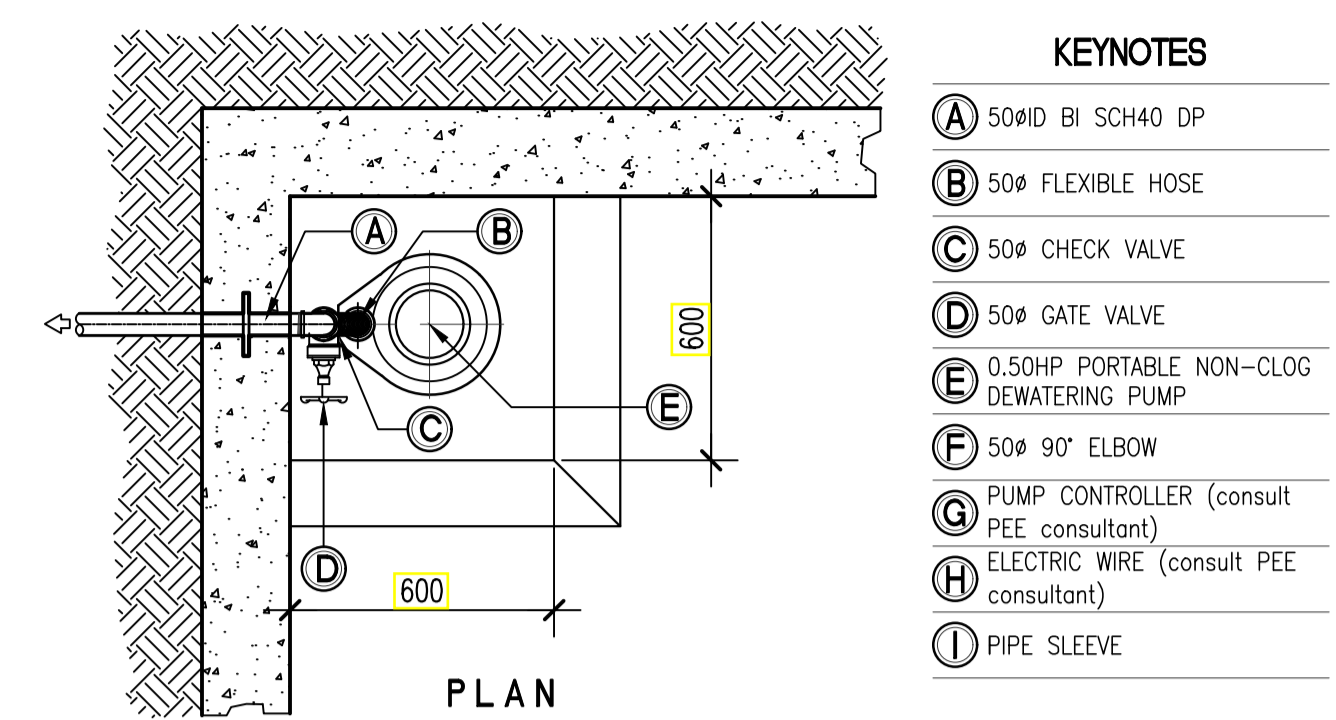


TABLE OF DIMENSIONS

PIPE SIZE	DIMENSIONS IN MM.			
	B	C	D	E
50	177	131	203	82.5
75	177	131	203	82.5
100	177	131	203	82.5
150	177	133	216	82.5



ENRIQUE O. OLONAN & ASSOCIATES
ARCHITECTS ENGINEERS CONSULTANTS

IN JOINT VENTURE WITH

ENRIQUE O. OLONAN & ASSOCIATES, CO.
ARCHITECTS ENGINEERS CONSULTANTS

SUITE 305
XAVIERVILLE SQUARE
CONDOMINIUM
NO. 38 XAVIERVILLE
AVENUE, LOROLA HEIGHTS,
QUEZON CITY, 1108
TEL. NOS.: 426 7009;
426 3040-44
FAX NOS.: 927 0608;
426 7214

ENGINEER:

VICTORIA ADEGER
SANITARY ENGINEER

PRC No.: 0001927 PTR No.: 4580635
PRC Validity: March 23, 2024 PTR Date: January 07, 2021
TIN No.: 1108-318-662 PTR Place: Pasay City

REPUBLIC ACT 9266

DRAWINGS AND SPECIFICATIONS AND OTHER CONTRACT DOCUMENTS DULY SIGNED, STAMPED OR SEALED, AS INSTRUMENTS OF SERVICE, ARE THE INTELLECTUAL PROPERTY AND DOCUMENT OF THE ARCHITECT. WHETHER THE OBJECT FOR WHICH THEY ARE MADE IS EXECUTED OR NOT, IT SHALL BE UNLAWFUL FOR ANY PERSON TO DUPLICATE OR TO MAKE COPIES OF SAID DOCUMENTS FOR USE IN THE REPRODUCTION OF AND FOR OTHER PROJECTS OR BUILDINGS, WHETHER EXECUTED PARTY IN WHOLE, WITHOUT THE WRITTEN CONSENT OF ARCHITECT OR AUTHOR OF SAID DOCUMENT.

PROJECT:

PROPOSED ACADEMIC BUILDING II

DESIGNED FOR:

REPUBLIC OF THE PHILIPPINES
PHILIPPINE SCIENCE HIGH SCHOOL -
MIMAROPA REGIONAL CAMPUS

RECOMMENDING APPROVAL:

MERIAM F. FALLAR
FAD CHIEF

APPROVED BY:

EDWARD C. ALBARACIN
CAMPUS DIRECTOR

LOCATION: Brgy. Rizal, Odiangan, Romblon

DESIGNED FOR:

RECOMMENDING APPROVAL:

APPROVED BY:

RECOMMENDING APPROVAL:

APPROVED BY:

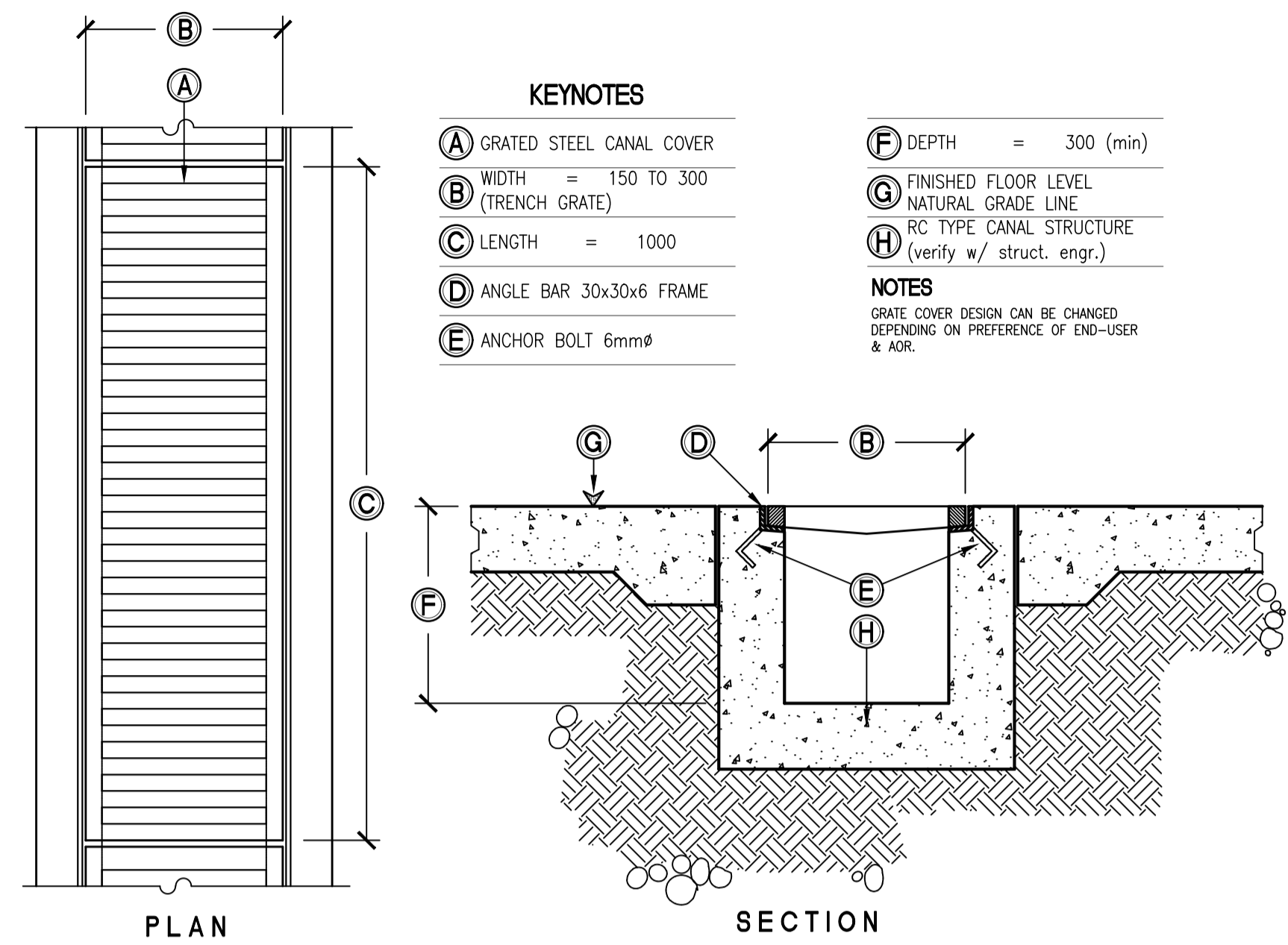
SHEET CONTENTS:

MISCELLANEOUS DETAILS

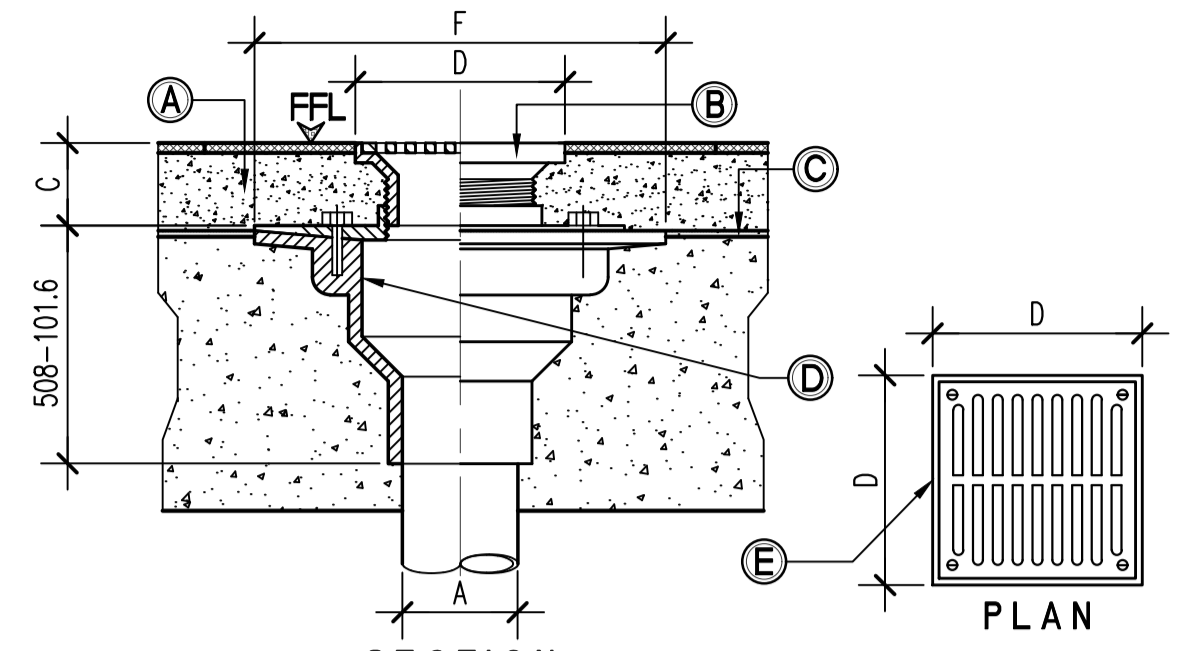
SHEET NO.:

PS
18 21

GENERAL NOTES: FOR REFERENCE ONLY, EXCLUDED IN PHASE 1

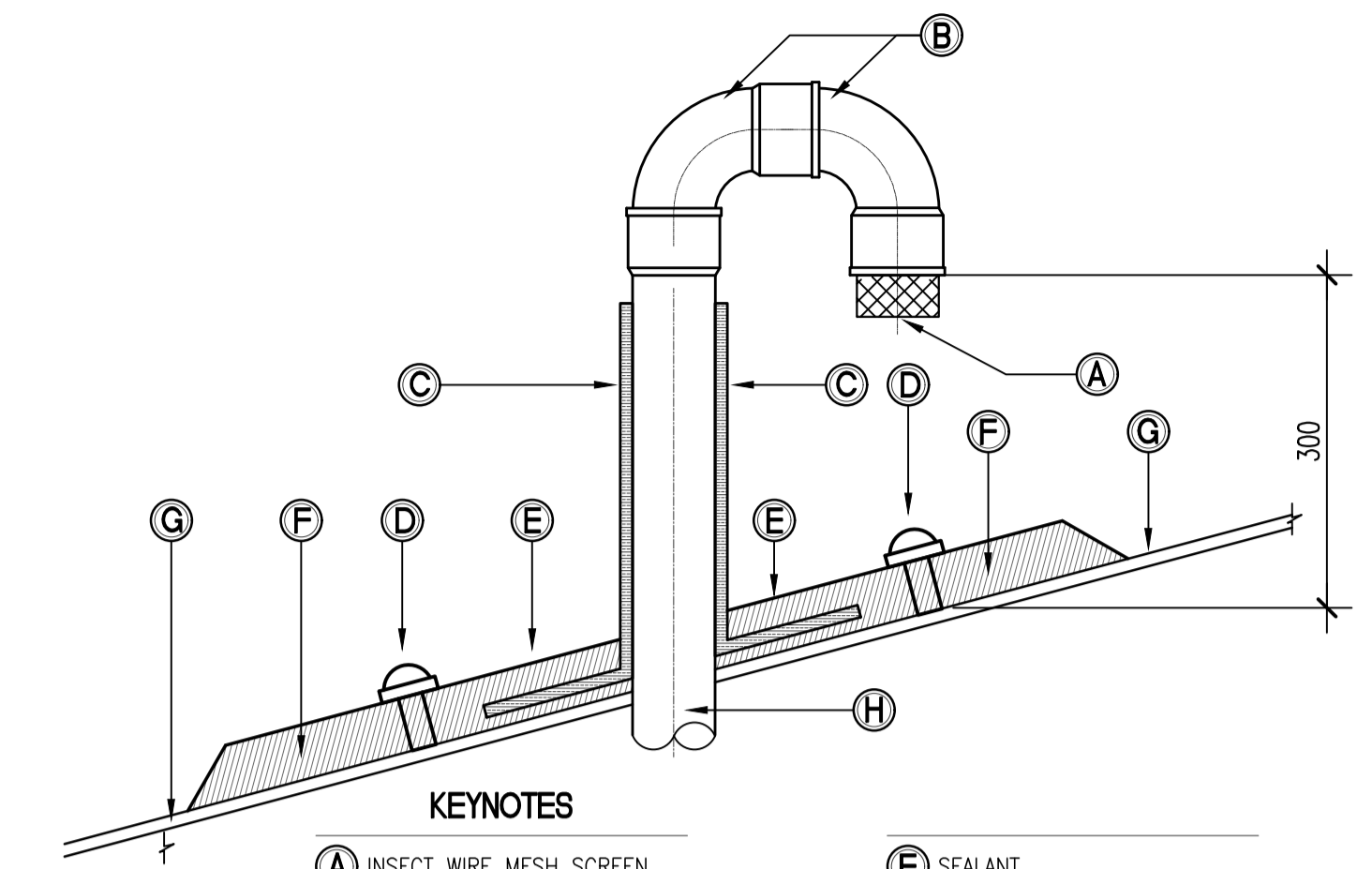


01 GRATED CANAL T-2 (NON-TRAFFIC RATED) TRENCH DRAINAGE CANAL DETAIL
PS-19 SCALE 1:20MTS

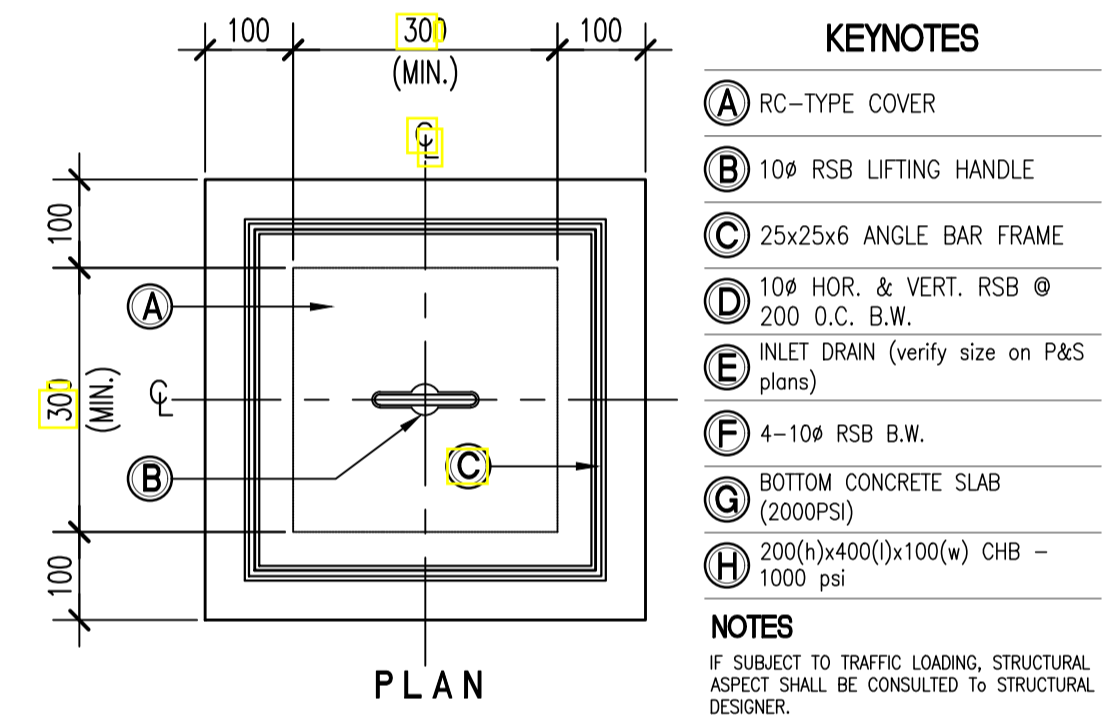


02 FLOOR CONNECTION FLOOR DRAIN DETAIL
PS-19 SCALE NTS

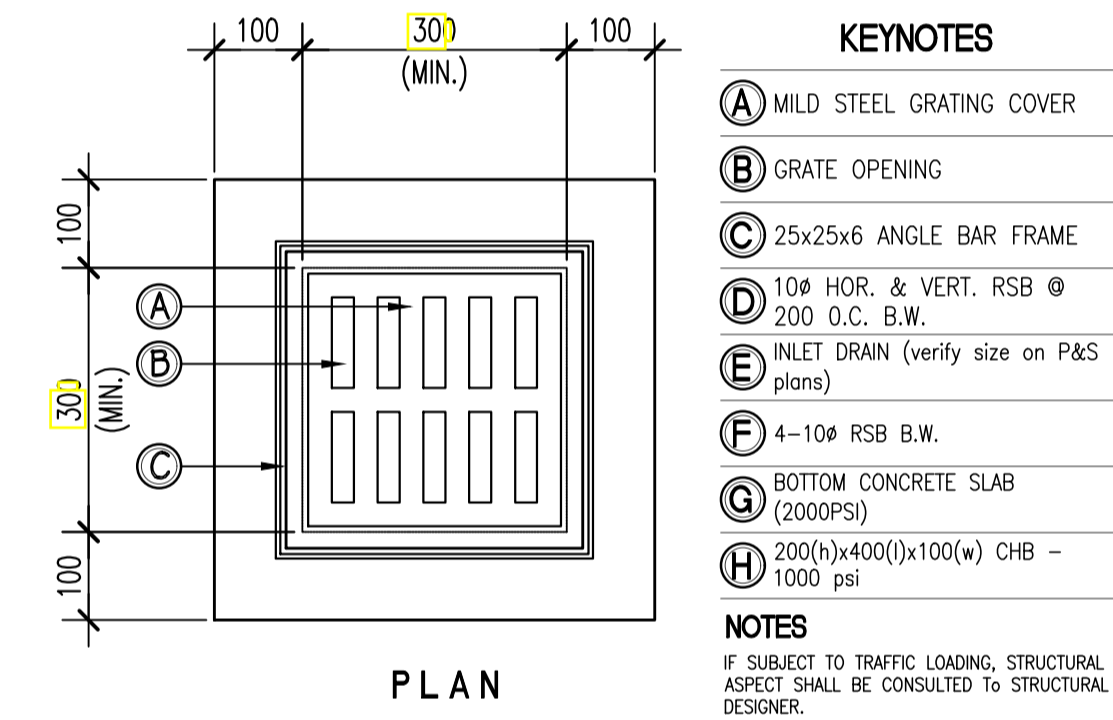
PIPE SIZE IN "A"	DIMENSIONS IN MM.		
	C	D	F
50	38.10	100X100	225.42
75	38.10	125X125	225.42
100	40.00	150X150	225.42
150	50.80	200X200	282.57



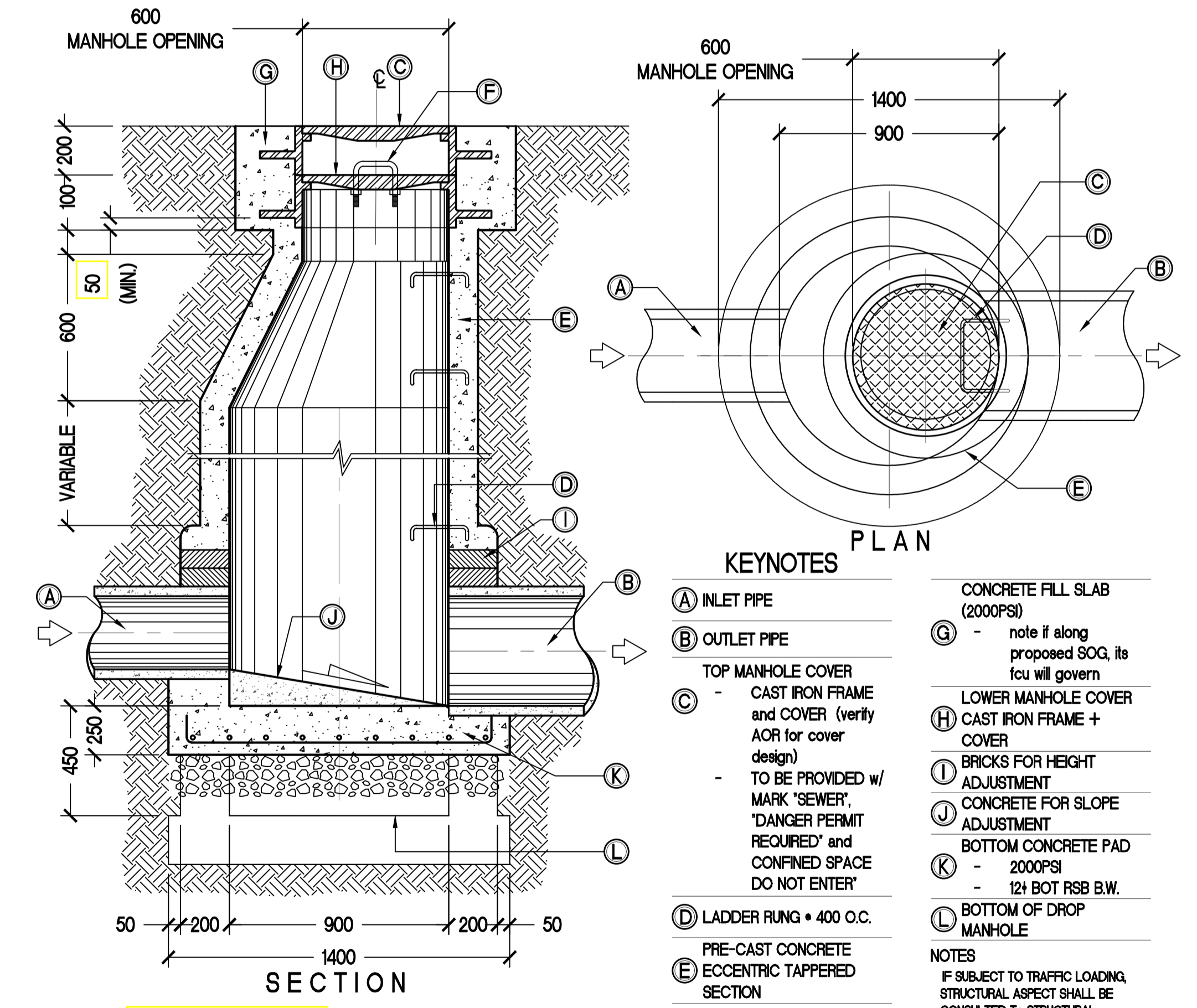
03 VENT STACK THRU DECK DETAIL
PS-19 SCALE NTS



04 NON-TRAFFIC RATED CATCH BASIN DETAIL
PS-19 SCALE 1:10MTS



05 NON-TRAFFIC RATED AREA DRAIN DETAIL
PS-19 SCALE 1:10MTS



06 DOUBLE MANHOLE OPENING RC-TYPE SEWER MANHOLE DETAIL
PS-19 SCALE 1:20MTS

ENRIQUE O. OLONAN & ASSOCIATES
ARCHITECTS ENGINEERS CONSULTANTS

IN JOINT VENTURE WITH

ENRIQUE O. OLONAN & ASSOCIATES, CO.
ARCHITECTS ENGINEERS CONSULTANTS

SUITE 305 XAVIERVILLE SQUARE CONDOMINIUM NO. 38 XAVIERVILLE AVE. LAYUNGA HEIGHTS, QUEZON CITY, 1108
TEL NOS: 426 7009; 426 9044
FAX NOS: 927 0608; 426 7214

ENGINEER:

VICTORIA ADEKER
SANITARY ENGINEER

PRC No.: 0001927 PTR No.: 4580635
PRC Validity: March 23, 2024 PTR Date: January 07, 2021
TN No.: 1108-318-662 PTR Place: Pasay City

REPUBLIC ACT 9266

DRAWINGS AND SPECIFICATIONS AND OTHER CONTRACT DOCUMENTS DULY SIGNED, STAMPED OR SEALED, AS INSTRUMENTS OF SERVICE, ARE THE INTELLECTUAL PROPERTY AND DOCUMENT OF THE ARCHITECT. WHETHER THE OBJECT FOR WHICH THEY ARE MADE IS EXECUTED OR NOT, IT SHALL BE UNLAWFUL FOR ANY PERSON TO DUPLICATE OR TO MAKE COPIES OF SAID DOCUMENTS FOR USE IN THE REPEITION OF AND FOR OTHER PROJECTS OR BUILDINGS, WHETHER EXECUTED PARTY OR IN WHOLE, WITHOUT THE WRITTEN CONSENT OF ARCHITECT OR AUTHOR OF SAID DOCUMENT.

PROJECT:

PROPOSED ACADEMIC BUILDING II

LOCATION: Brgy. Rizal, Odiongan, Romblon

DESIGNED FOR:

REPUBLIC OF THE PHILIPPINES
PHILIPPINE SCIENCE HIGH SCHOOL - MIMAROPA REGIONAL CAMPUS

RECOMMENDING APPROVAL:

MERIAM F. FALLAR
FAD CHIEF

APPROVED BY:

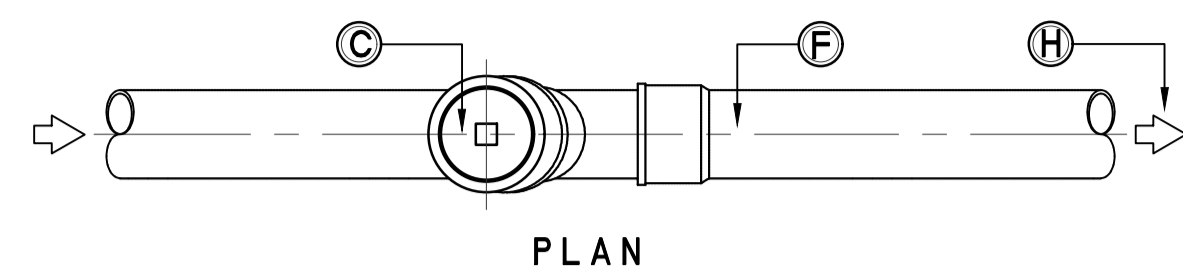
EDWARD C. ALBARACIN
CAMPUS DIRECTOR

SHEET CONTENTS:

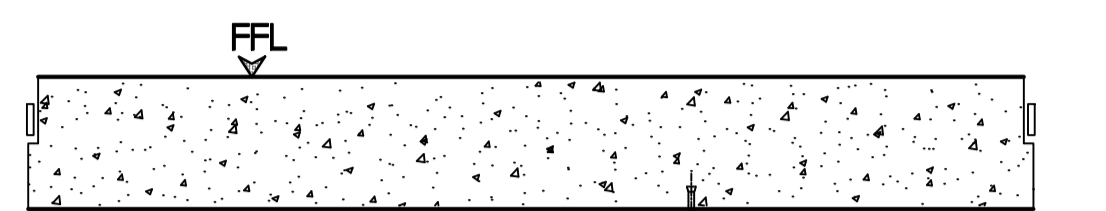
MISCELLANEOUS DETAILS

SHEET NO:

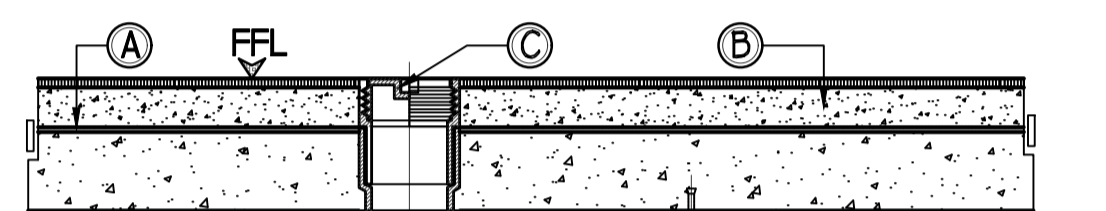
PS
19 21



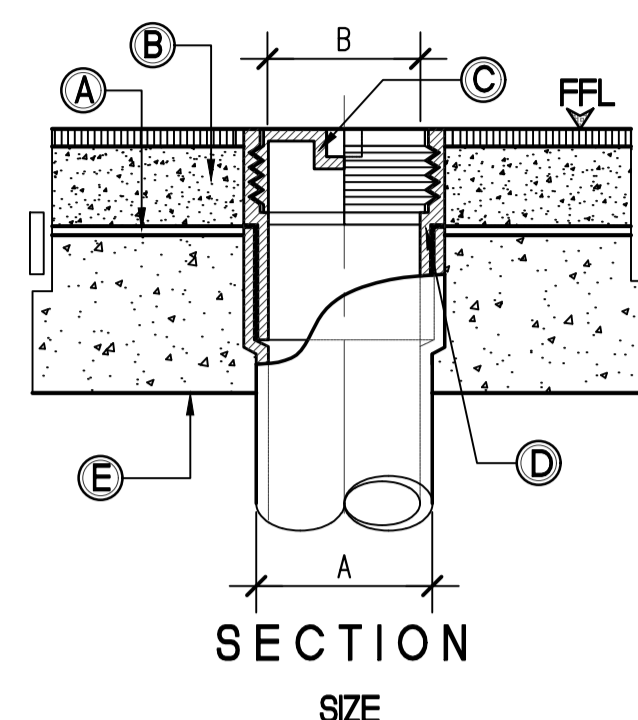
PLAN



ELEVATION



SECTION

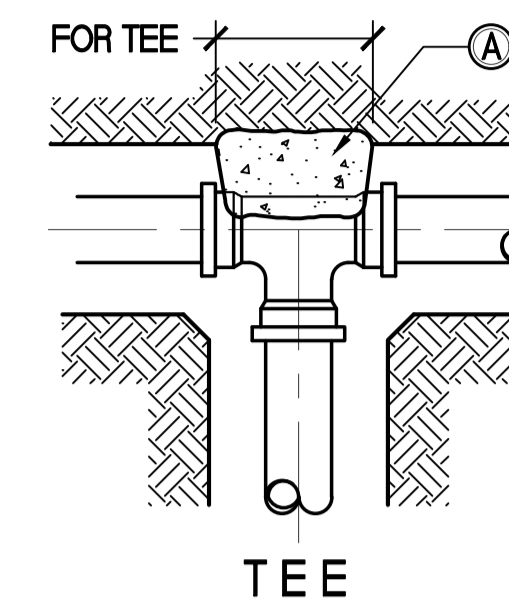


SECTION
SIZE

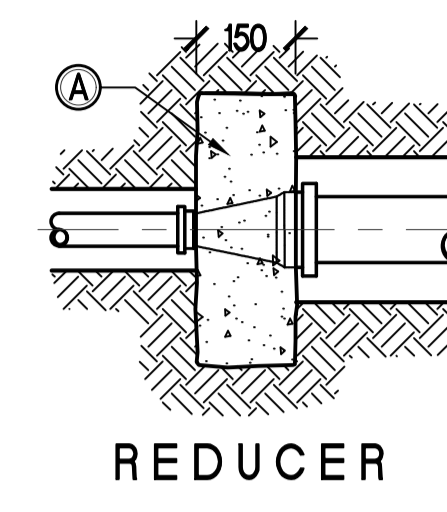
PIPE SIZE "A"	SIZE (MM) "B"
50	63
75	90
100	110

- KEYNOTES**
- (A) WATERPROOFING MEMBRANE (refer to arch's plans)
 - (B) CONCRETE TOPPING
 - (C) CLEANOUT - FLOOR, WALL & GRADE IS METAL TYPE COUNTERSUNK OR FLASH TYPE w/ SCREW PLUG TYPE - SUBJECT FOR ARCH'S APPROVAL
 - (D) CLEANOUT CASING
 - (E) SLAB SOFFIT
 - (F) SOIL/WASTE PIPE (refer to plan for size)
 - (G) HANGER ROD (refer to PS06-01)
 - (H) DIRECTION OF FLOW
 - (I) SANITARY WYE FOR RUN
 - (J) 45° ELBOW FOR DEAD END
 - (K) SANITARY WYE + 45° ELBOW FOR RUN
 - (L) 2-UNITS OF 45° ELBOW FOR DEAD END

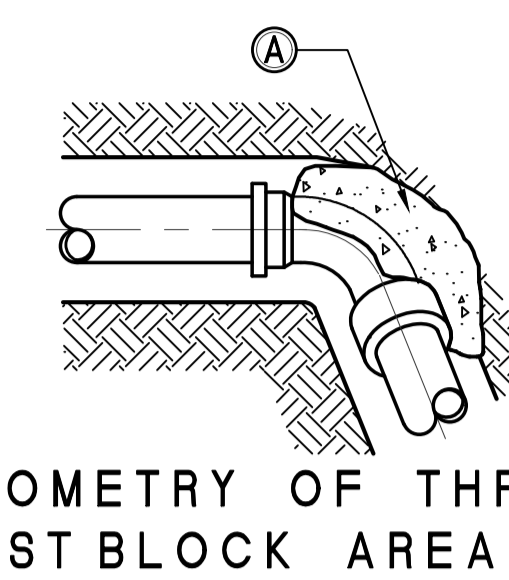
01 FLOOR/CEILING/TO GRADE CLEANOUT DETAIL
PS - 20 SCALE NTS



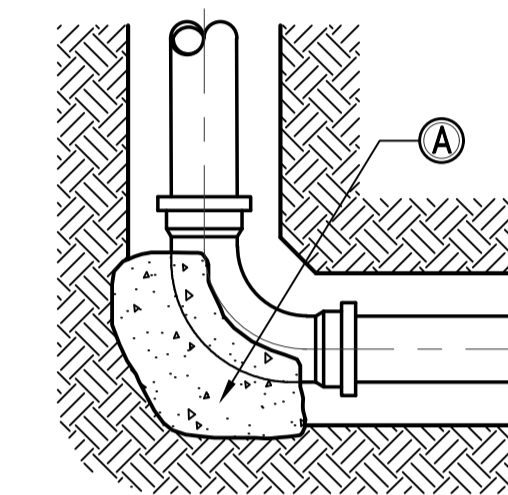
TEE



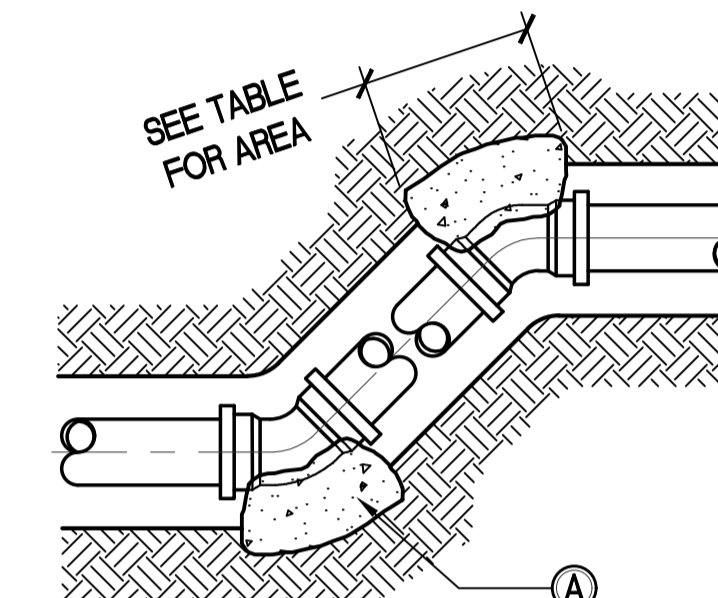
REDUCER



ISOMETRY OF THRU ST BLOCK AREA



90° ELBOW OR BEND



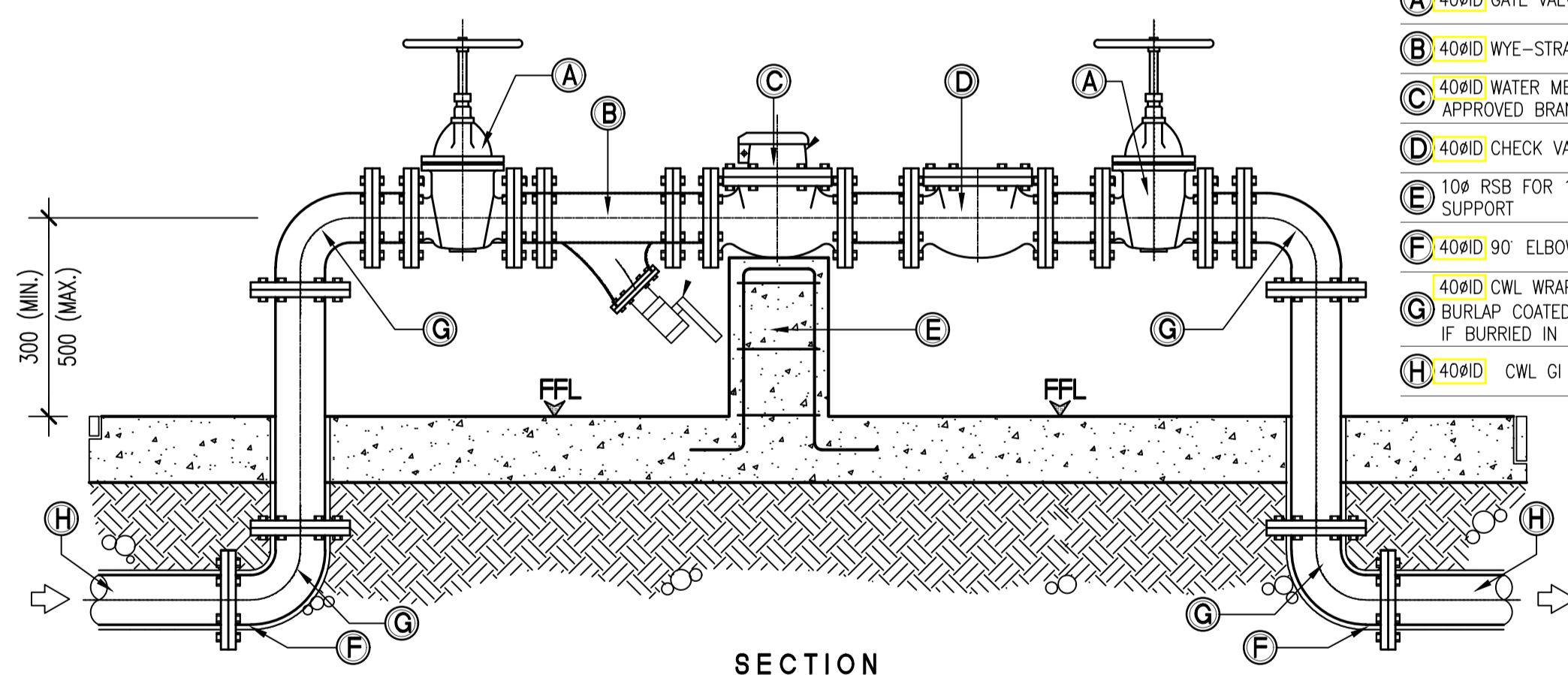
OFFSET and BENDS

TABLE OF MINIMUM THRUST BLOCK BEARING AREAS IN SQUARE METERS FOR PIPE SIZES 75 mm TO 600 mm

PIPE SIZE mm (in.)	TEE + DEAD END	90° BEND	45° BEND	22 1/2° BEND
75 (3")	0.05	0.07	0.04	0.02
100 (4")	0.09	0.12	0.07	0.04
150 (6")	0.20	0.28	0.15	0.08
200 (8")	0.35	0.50	0.27	0.14
250 (10")	0.55	0.77	0.42	0.24
300 (12")	0.79	1.11	0.60	0.31
350 (14")	1.07	1.52	0.82	0.42
400 (16")	1.40	1.98	1.07	0.55
450 (18")	1.77	2.51	1.36	0.69
500 (20")	2.19	3.10	1.68	0.85
600 (24")	3.15	4.46	2.42	1.2

- KEYNOTES**
- (A) CAST ALL THRUST BLOCKS AGAINST UNDISTURBED SOIL
- NOTES**
- ABOVE AREAS ARE BASED ON AN ASSUMED SOIL BEARING PRESSURE OF 98kPa (2000 PSF). REDUCE OR INCREASE AREAS PROPORTIONATELY TO SUIT ACTUAL FIELD CONDITIONS UPON APPROVAL OF THE ENGINEER.
 - CONCRETE COMPRESSIVE STRENGTH FOR THRUST BLOCK SHALL BE 13.8MPa (2000psi)
 - CONCRETE COMPRESSIVE STRENGTH FOR ANCHOR BLOCK SHALL BE 13.8MPa (2000psi)
 - THRUST BLOCKS NOT REQUIRED ON STEEL PIPE LINE w/ WELDED OR FLANGED JOINTS OR ON SOLVENT WELDED PVC PIPE.
 - WHERE PIPE CONNECTS TO A FITTING IN A STEEL PIPE LINE, THE STEEL PIPELINE SHALL BE BLOCKED AS SHOWN HERE ON BEARING AREAS BASED ON INTERNAL PRESSURE OF 10MPa (150psi)

03 AWWA STANDARD CONCRETE THRUST BLOCKS
PS - 20 SCALE NTS



SECTION

- KEYNOTES**
- (A) 40mm GATE VALVE OS&Y
 - (B) 40mm WYE-STRAINER
 - (C) 40mm WATER METER - MWSS APPROVED BRAND
 - (D) 40mm CHECK VALVE
 - (E) 100 RSB FOR 100x100 RC SUPPORT
 - (F) 40mm 90° ELBOW
 - (G) 40mm CWL WRAPPED w/ BURLAP COATED w/ COALTAR IF BURIED IN SOIL
 - (H) 40mm CWL GI PIPE

02 MAIN WATER METER DETAIL
PS - 20 SCALE NTS

ENRIQUE O. OLONAN & ASSOCIATES
ARCHITECTS ENGINEERS CONSULTANTS

SUITE 305
XAVIERVILLE SQUARE
CONDOMINIUM
NO. 38 XAVIERVILLE
AVENUE, LORRAINE HEIGHTS,
QUEZON CITY, 1108
TEL NOS: 426 7009;
426 90044
FAX NOS: 927 0608;
426 7214

ENRIQUE O. OLONAN & ASSOCIATES, CO.
ARCHITECTS ENGINEERS CONSULTANTS

ENGINEER:

VICTORIA ADEGER
SANITARY ENGINEER

PRC No.: 0001927 PTR No.: 4580635
PRC Validity: March 23, 2024 PTR Date: January 07, 2021
TIN No.: 1108-318-662 PTR Place: Pasay City

REPUBLIC ACT 9266

DRAWINGS AND SPECIFICATIONS AND OTHER CONTRACT DOCUMENTS DULY SIGNED, STAMPED OR SEALED, AS INSTRUMENTS OF SERVICE, ARE THE INTELLECTUAL PROPERTY AND DOCUMENT OF THE ARCHITECT. WHETHER THE OBJECT FOR WHICH THEY ARE MADE IS EXECUTED OR NOT, IT SHALL BE UNLAWFUL FOR ANY PERSON TO DUPLICATE OR TO MAKE COPIES OF SAID DOCUMENTS FOR USE IN THE REPRODUCTION OF AND FOR OTHER PROJECTS OR BUILDINGS, WHETHER EXECUTED PARTLY OR IN WHOLE, WITHOUT THE WRITTEN CONSENT OF ARCHITECT OR AUTHOR OF SAID DOCUMENT.

PROJECT:

**PROPOSED
ACADEMIC BUILDING II**

LOCATION: Brgy. Rizal, Odiangan, Romblon

DESIGNED FOR:

REPUBLIC OF THE PHILIPPINES
PHILIPPINE SCIENCE HIGH SCHOOL -
MIMAROPA REGIONAL CAMPUS

RECOMMENDING APPROVAL:

MERIAM F. FALLAR
FAD CHIEF

APPROVED BY:

EDWARD C. ALBARACIN
CAMPUS DIRECTOR

SHEET CONTENTS:

MISCELLANEOUS DETAILS

SHEET NO:

**PS
20 21**

TABLE OF CONTENTS:

SHEET		CONTENT
CODE	#	
PS - 01	01	PROJECT TITLE, TABLE OF CONTENTS, GENERAL PLUMBING & SANITARY NOTES, LOCATION MAP, SITE DEVELOPMENT PLAN
PS - 02	02	PLUMBING & SANITARY SYMBOLS/LEGENDS, PLUMBING & SANITARY ABBREVIATIONS, MATERIAL SPECIFICATIONS
PS - 03	03	SCHEDULE OF PLUMBING & SANITARY EQUIPMENT, MISCELLANEOUS DETAILS
PS - 04	04	WATER SUPPLY DISTRIBUTION SYSTEM LAYOUT BASEMENT & GROUND FLOOR
PS - 05	05	WATER SUPPLY DISTRIBUTION SYSTEM LAYOUT SECOND & THIRD FLOOR
PS - 06	06	WATER SUPPLY DISTRIBUTION SYSTEM LAYOUT - ROOF STORMWATER & CONDENSATE DRAINAGE SYSTEM LAYOUT - BASEMENT
PS - 07	07	STORMWATER & CONDENSATE DRAINAGE SYSTEM LAYOUT GROUND & SECOND FLOOR
PS - 08	08	STORMWATER & CONDENSATE DRAINAGE SYSTEM LAYOUT THIRD & ROOF FLOOR
PS - 09	09	SANITARY SEWER & VENT SYSTEM LAYOUT BASEMENT & GROUND FLOOR
PS - 10	10	SANITARY SEWER & VENT SYSTEM LAYOUT SECOND & THIRD FLOOR
PS - 11	11	SANITARY SEWER & VENT SYSTEM LAYOUT ROOF
PS - 12	12	BLOW UP DETAIL & ISOMETRIC LAYOUT - WATER SUPPLY DISTRIBUTION SYSTEM
PS - 13	13	BLOW UP DETAIL & ISOMETRIC LAYOUT - WATER SUPPLY DISTRIBUTION SYSTEM
PS - 14	14	BLOW UP DETAIL & ISOMETRIC LAYOUT - SANITARY SEWER & VENT SYSTEM
PS - 15	15	BLOW UP DETAIL & ISOMETRIC LAYOUT - SANITARY SEWER & VENT SYSTEM
PS - 16	16	SCHEMATIC RISER DIAGRAM WATER SUPPLY DISTRIBUTION SYSTEM & SANITARY SEWER SYSTEM
PS - 17	17	SCHEMATIC RISER DIAGRAM STORMWATER DRAINAGE SYSTEM (GRID 1 - 4 & 5 - 9)
PS - 18	18	MISCELLANEOUS DETAILS
PS - 19	19	MISCELLANEOUS DETAILS
PS - 20	20	MISCELLANEOUS DETAILS
PS - 21	21	MISCELLANEOUS DETAILS

GENERAL PLUMBING and SANITARY NOTES:

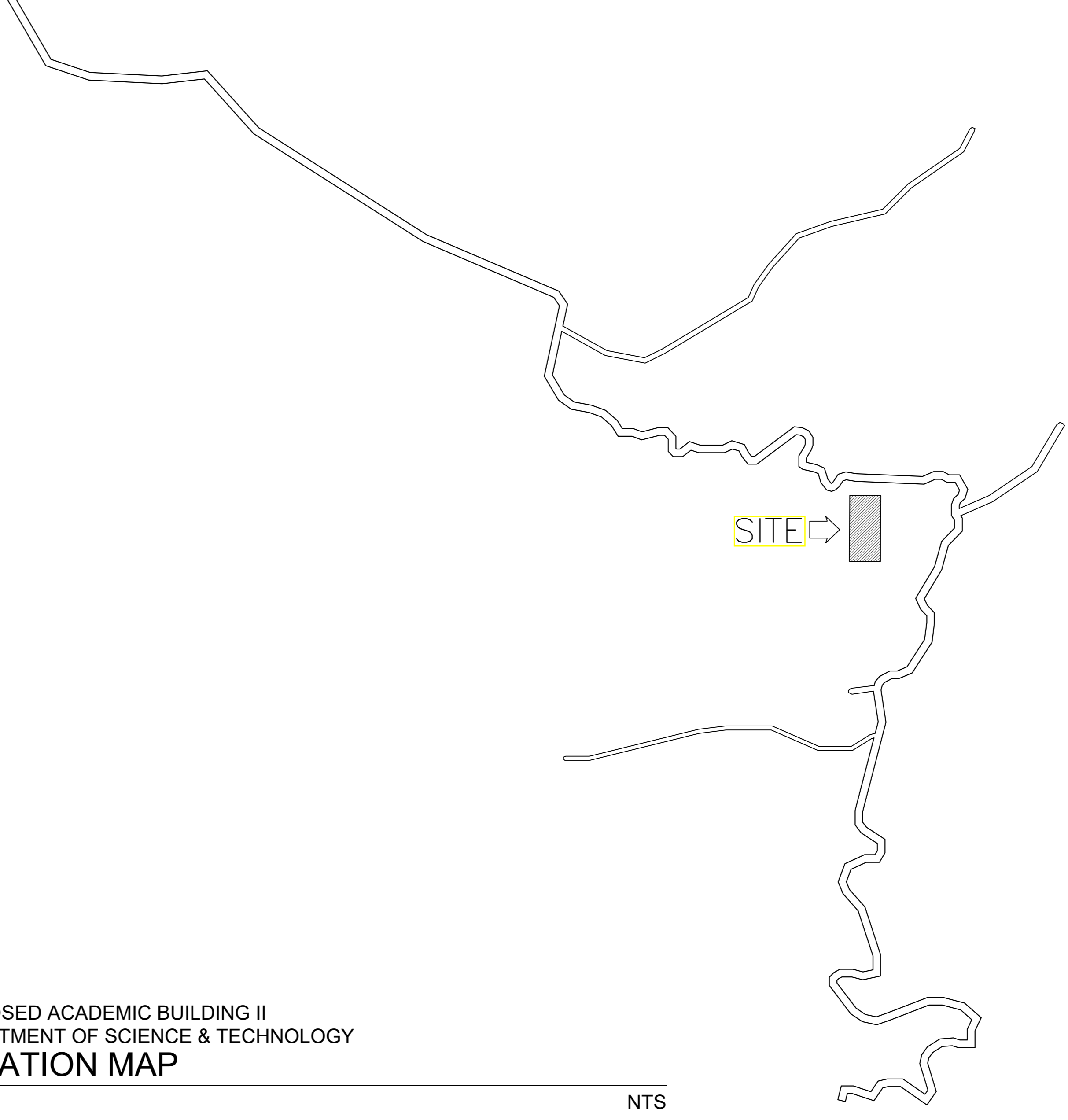
- ALL PLUMBING WORKS INCLUDED HEREIN SHALL BE EXECUTED ACCORDING TO THE PROVISIONS OF UNIFORM PLUMBING CODE OF THE PHILIPPINES, THE NATIONAL BUILDING CODE, REVISED PLUMBING CODE OF THE PHILIPPINES & THE RULES & REGULATIONS OF MUNICIPALITY OF ODIONGAN, ROMBLON.
- THE CONTRACTOR SHALL VERIFY ALL EXISTING UTILITIES SUCH AS DISPOSAL POINT FOR SEWAGE EFFLUENT, STORM DRAINAGE AND WATER LINE SERVICE TAPPING POINT.
- COORDINATE THE DRAWING WITH OTHER RELATED DRAWINGS AND SPECIFICATION. THE ENGINEER SHALL BE NOTIFIED IMMEDIATELY OF ANY DISCREPANCY FOUND THEREIN.
- ALL PIPES SHALL BE INSTALLED AS INDICATED ON PLANS. ANY RELOCATIONS REQUIRED FOR PROPER EXECUTION OF OTHER TRADE SHALL BE WITH PRIOR APPROVAL OF THE ARCHITECT OR ENGINEER.
- PROPOSED SANITARY UTILITIES SHALL CONFORM TO THE ACTUAL LOCATION, DEPTH AND INVERT ELEVATION OF ALL EXISTING PIPES AND STRUCTURES AS VERIFIED BY THE CONTRACTOR. THE CONTRACTOR SHALL PROVIDE THE NECESSARY EXCAVATIONS, BACKFILLING AND SURFACE RESTORATION OF THE AFFECTED AREAS. ALL SLOPES FOR HORIZONTAL DRAINAGE SHALL MAINTAIN 1% UNLESS OTHERWISE SPECIFIED.
- SIZE OF WATER SUPPLY PIPES TO FIXTURES SHALL BE IN ACCORDANCE W/ THE MANUFACTURER'S INSTRUCTIONS.
- THE CONTRACTOR SHALL VERIFY ALL EXISTING UTILITIES AT SITE, COORDINATE THE WORKS WITH THE SEWER LINE EFFLUENT DISPOSAL POINT AND WATER LINE SERVICE CONNECTING POINT.
- ALL VENT PIPES SHALL BE FREE FROM DROPS OR SAGS AND SHALL BE SLOPE OR GRADED AS TO DRIP BACK BY GRAVITY TO THE DRAINAGE PIPE IT SERVES.
- ALL PIPE SIZES ARE IN EITHER INCHES OR MILLIMETERS UNLESS OTHERWISE SPECIFIED.
- ALL PIPES, FITTINGS & APPURTENANCES WHICH WILL PASS THROUGH IN ANY STRUCTURAL COMPONENT SHALL BE FIRST APPROVED BY THE DESIGN STRUCTURAL ENGINEER.
- PROVIDE CLEANOUT FOR EVERY CHANGE IN DIRECTION AND FOR EVERY 15m HORIZONTAL RUN FOR SEWER & DRAINAGE LINE.
- ALL BRANCH VENT PIPES SHALL BE MINIMUM OF 50mmØ UNLESS OTHERWISE SHOWN.
- PIPE HANGER SHALL BE DESIGNED SUCH THAT IT COULD SUPPORT FIVE (5) TIMES THE WEIGHT THE WATER FILLED PIPE PLUS 114kg.
- ALL SEWER PIPES EMBEDDED IN GROUND AND BELOW SLAB-ON-GRADE SHALL BE PROVIDED WITH SAND BEDDING MATERIALS.
- ACCESS OPENING SHALL BE PROVIDED IN THE PIPE SHAFT FOR TESTING, SERVICING AND CLEANING OF PIPES.
- ALL VALVES SHALL BE LOCATED SUCH THAT IT CAN BE READILY ACCESSED BY THE MAINTENANCE PERSONNEL. ACCESS PANEL SHALL BE PROVIDED WHERE NECESSARY SUBJECT TO ENGINEER'S APPROVAL.
- VALVES RATING SHALL MEET OR EXCEED THEIR RESPECTED SYSTEM OPERATING PRESSURE AND TEMPERATURE.
- PIPE SUPPORT, HANGERS AND BRACING SHALL BE OF APPROVED TYPE AND SHALL BE INDEPENDENT FROM CEILING AND DUCT SUPPORT.
- PROVIDE UNION AT EACH THREADED OR WELDED CONNECTION TO EQUIPMENT AND VALVES UP TO 50mm & AT 18.0m (60FT) INTERVAL OR AS SHOWN ON DRAWINGS.
- PROVIDE MINIMUM OF 50mm CLEARANCE AROUND PIPING EXTENDED THROUGH WALLS, FLOORS, PLATFORMS & FOUNDATION, INCLUDING DRAINS & AUXILIARY PIPING.
- MAJOR PLUMBING EQUIPMENT SUCH AS BLADDER TANK, WATER TANK, PUMPS & ITS SYSTEM APPURTENANCES SHALL BE APPROVED FIRST BY THE DESIGN SANITARY ENGINEER THROUGH WRITTEN LETTER BEFORE PURCHASING/INSTALLATION.
- SOME SYMBOLS / LEGENDS ON DRAWING PLANS WERE EXAGGERATED IN SCALED FOR THE PURPOSE OF GRAPHICAL REPRESENTATION, ACTUAL SIZES VARY.
- PROVIDE LABOR & MATERIALS TO DELIVER COMPLETE & PROPERLY FUNCTIONING PLUMBING SYSTEMS.
- COORDINATE PLUMBING WORK WITH SITE CONDITIONS & OTHER TRADE WORKS.
- VERIFY SLOPES & INVERT ELEVATIONS PRIOR TO COMMENCEMENT OF WORK.
- PROVIDE ACCESS PANELS FOR VALVES, WATER HAMMER ARRESTERS & OTHER PLUMBING SPECIALTIES LOCATED INSIDE CHASES, BEHIND WALLS OR ABOVE INACCESSIBLE CEILINGS.
- PROVIDE FLEX PIPING AT STRUCTURAL BUILDING EXPANSION JOINTS (REFER TO STRUCTURAL DRAWINGS)
- PROVIDE FIRE STOPPING FOR PIPING CROSSING FIRE-RATED WALL.
- PROVIDE SEISMIC SEPARATION FOR PIPING CROSSING BUILDING SEISMIC JOINT. (REFER TO STRUCTURAL DRAWINGS)
- PIPING THAT WILL PASS THROUGH STRUCTURAL MEMBERS SUCH AS COLUMN, BEAM, FOUNDATION, SHEARWALL & THE LIKE SHALL ASK FIRST WRITTEN PERMISSION FROM STRUCTURAL DESIGNER.
- NO PIPING OR OTHER PLUMBING EQUIPMENT ARE TO BE INSTALLED OVER OR UNDER ELECTRICAL PANELBOARDS.
- CONTRACTOR RESPONSIBLE FOR ALL REQUIRED TRANSITIONS, OFFSETS MINOR RELOCATIONS AND ALL ASSOCIATED PIPING.
- REROUTE PIPING AS NEARLY AS POSSIBLE TO ROUTES INDICATED ON PLANS. CONTRACTORS IS FREE TO MAKE MINOR CHANGES IN ROUTING TO ACCOMMODATE CHANGES.
- COORDINATE ALL EQUIPMENT CONNECTIONS WITH MANUFACTURERS' CERTIFIED DRAWINGS.
- ALL TESTS SHALL BE COMPLETED BEFORE ANY PIPING OR EQUIPMENT IS INSULATED OR CONCEALED.
- WHERE TWO OR MORE PRODUCTS OF THE SAME TYPE OF EQUIPMENT ARE REQUIRED, THE PRODUCTS OF A SINGLE MANUFACTURER SHALL BE USED.
- PROVIDE HIGH POINT VENTS & LOW POINT DRAINS.
- PROVIDE DIELECTRIC CONNECTIONS BETWEEN DISSIMILAR MATERIALS.
- UNIONS AND/OR FLANGES SHALL BE INSTALLED AT EACH PIECE OF EQUIPMENT AND IN BYPASSES TO PERMIT DISASSEMBLY FOR ALTERATION AND REPAIRS. INSTALL ALL PIPING WITHOUT FORCING OR SPRINGING.
- WATER HAMMER ARRESTORS SHALL BE INSTALLED AT FLUSH VALVE-OPERATED FIXTURES, SOLENOID VALVES & ANY OTHER QUICK CLOSING VALVES TO MINIMIZE NOISE. ARRESTORS SHALL BE INSTALLED WITH PROPER ACCESS PANELS. AIR CHAMBERS SHALL NOT BE PERMITTED.
- FLASH & COUNTER-FLASH ROOF PENETRATIONS FOR PIPING.
- PIPE SHOULD BE OFFSET TO AVOID CONTACT WITH FOOTINGS & FOUNDATION WALLS. IF PIPING MUST RUN UNDERNEATH A FOOTING OR THROUGH A FOUNDATION WALL, THE PIPE MUST BE INSTALLED WITH A RELIEVING ARCH OR IN A PIPE SLEEVE.
- ALL PIPES BURIED UNDERGROUND SHALL BE PROVIDED WITH LINE MARKERS.
- WATER HEATER SHALL BE FILLED WITH WATER & PURGED AS SOON AS INSTALLED OR IN NO EVENT THAN GAS/ELECTRIC HOOK-UP.
- VACUUM BREAKERS SHALL BE PROVIDED FOR ALL FIXTURES TO WHICH HOSES MAY BE ATTACHED. VACUUM BREAKERS SHALL BE PERMANENTLY ATTACHED.
- PROVIDE PRESSURE REDUCING VALVE IF INCOMING WATER PRESSURE EXCEEDS 80 PSI.
- NO INSULATION PERMITTED ON BACKFLOW PREVENTOR ASSEMBLY.
- REFLECTED GATE VALVE IN TOILETS ARE FOR ISOLATION FOR MORE THAN ONE FIXTURE IN A BRANCH. SINGLE PLUMBING FIXTURE IN A BRANCH OR ROOM IS CONSIDERED TO HAVE GATE VALVE AT THE FIXTURE BRANCH W/OUT THE NEED OF INDICATING ON PLAN.
- DOWNSPOUT EXACT LOCATION WHETHER INTERIOR OF EXTERIOR OF WALL OR COLUMN IS SUBJECT TO APPROVAL OF ARCHITECT OF RECORD.

01
PS - 01

PROPOSED ACADEMIC BUILDING II
DEPARTMENT OF SCIENCE & TECHNOLOGY
LOCATION MAP

SCALE:

NTS

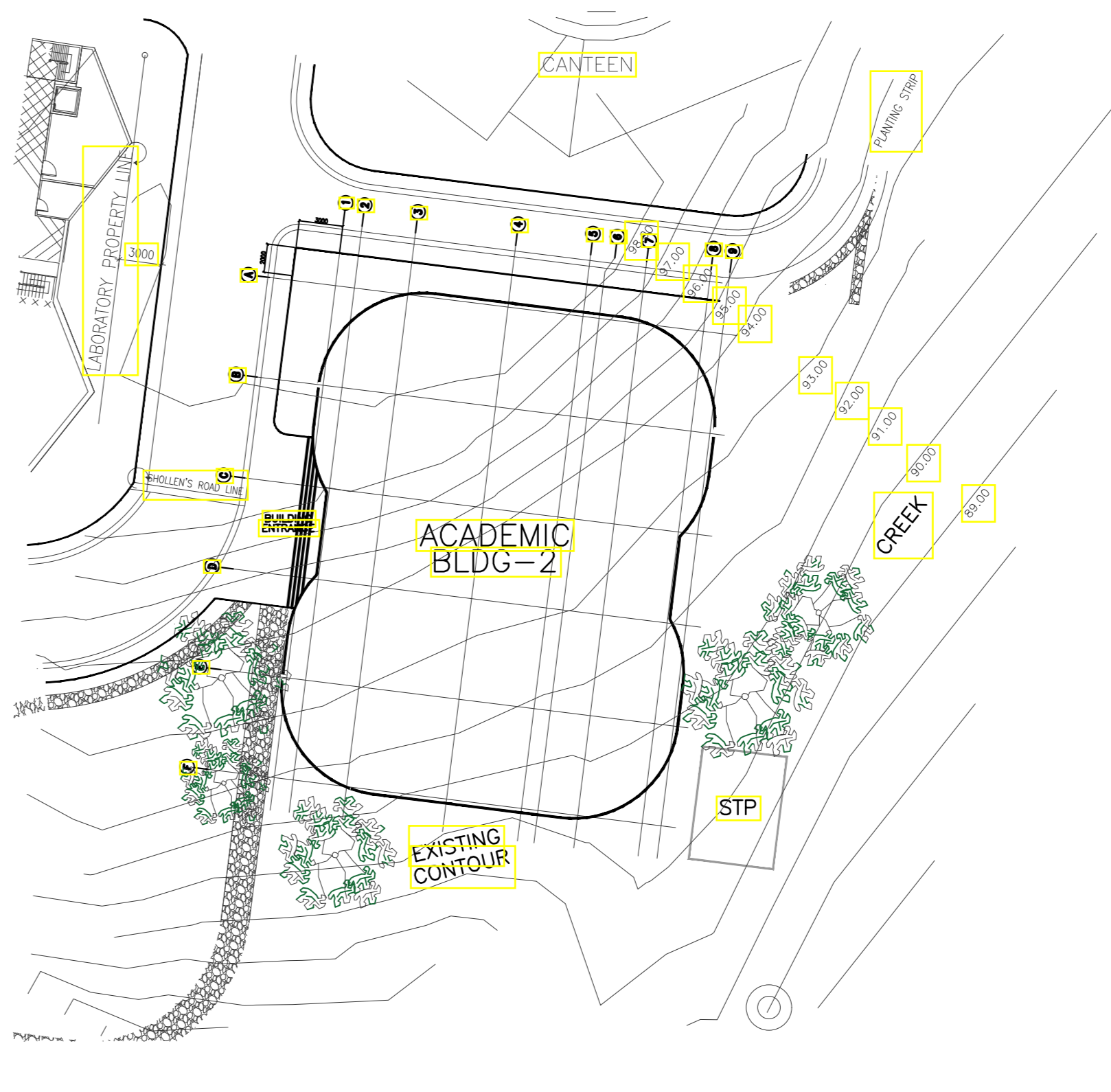


02
PS - 01

PROPOSED ACADEMIC BUILDING II
DEPARTMENT OF SCIENCE & TECHNOLOGY
SITE DEVELOPMENT PLAN

SCALE:

NTS



ENRIQUE O. OLONAN & ASSOCIATES
ARCHITECTS ENGINEERS CONSULTANTS

SUITE 305
XAVIERVILLE SQUARE
CONDOMINIUM
NO. 38 XAVIERVILLE
AVENUE, LOYOLA HEIGHTS,
QUEZON CITY, 1108
TEL. NOS.: 426 7009;
426 90244
FAX NOS.: 927 6608;
426 7214

ENRIQUE O. OLONAN & ASSOCIATES, CO.
ARCHITECTS ENGINEERS CONSULTANTS

ENGINEER:

VICTORIA ADEDECER
SANITARY ENGINEER

PRC No.: 0001927 PTR No.: 4580635
PRC Validity: March 23, 2024 PTR Date: January 07, 2021
TIN No.: 108-318-662 PTR Place: Pasay City

REPUBLIC ACT 9266

DRAWINGS AND SPECIFICATIONS AND OTHER CONTRACT DOCUMENTS DULY SIGNED, STAMPED OR SEALED, AS INSTRUMENTS OF SERVICE, ARE THE INTELLECTUAL PROPERTY AND DOCUMENT OF THE ARCHITECT. WHETHER THE OBJECT FOR WHICH THEY ARE MADE IS EXECUTED OR NOT, IT SHALL BE UNLAWFUL FOR ANY PERSON TO DUPLICATE OR TO MAKE COPIES OF SAID DOCUMENTS FOR USE IN THE REPETITION OF AND FOR OTHER PROJECTS OR BUILDINGS, WHETHER EXECUTED PARTLY OR IN WHOLE, WITHOUT THE WRITTEN CONSENT OF ARCHITECT OR AUTHOR OF SAID DOCUMENT.

PROJECT:

PROPOSED ACADEMIC BUILDING II

LOCATION: Brgy. Rizal, Odiongan, Romblon

DESIGNED FOR:

REPUBLIC OF THE PHILIPPINES
PHILIPPINE SCIENCE HIGH SCHOOL -
MIMAROPA REGIONAL CAMPUS

RECOMMENDING APPROVAL:

MERIAM F. FALLAR
FAD CHIEF

APPROVED BY:

EDWARD C. ALBARACIN
CAMPUS DIRECTOR

SHEET CONTENTS:

TABLE OF CONTENTS
GENERAL PLUMBING & SANITARY NOTES
LOCATION MAP
SITE DEVELOPMENT PLAN

SHEET NO:

PS
01 21

GENERAL NOTES: FOR REFERENCE ONLY, EXCLUDED IN PHASE 1

PLUMBING and SANITARY SYMBOLS/LEGENDS:

SYMBOL	ABBREVIATION	DESCRIPTIONS
PLUMBING FIXTURES		
	B	BIBET
	B / C / HB	BIBB / COCK / HOSE BIBB
	DF	DRINKING FOUNTAIN
	F	FAUCET
	FD / SD	FLOOR DRAIN / SHOWER DRAIN
	GT	GREASE TRAP
	LAV	LAVATORY
	KS / PS / SK	KITCHEN SINK / PANTRY SINK / SINK
	SS / MS	SERVICE SINK / SLOP SINK / MOP SINK
	SHO	SHOWER
	UR (FV)	URNAL (FLUSHOMETER VALVE)
	UR	URNAL
	WC (FV)	WATER CLOSET (FLUSHOMETER VALVE)
	WC (FT)	WATER CLOSET (FLUSH TANK)
	WH (SP)	WATER HEATER (SINGLE-POINT)
	WH (MP)	WATER HEATER (MULTI-POINT)
WATER SUPPLY SYSTEM		
	AC	AIR CHAMBER
	BV	BALL VALVE
	BAV	BALANCING VALVE
	CV	CHECK VALVE
	CWL/NP	COLD WATER LINE (NON-POTABLE)
	CWR/NP-P	COLD WATER RISER - PRESSURIZED (NON-POTABLE)
	CWDF/NP-G	COLD WATER DOWNFEED - GRAVITY (NON-POTABLE)
	CWDF/NP-P	COLD WATER DOWNFEED - PRESSURIZED (NON-POTABLE)
	CWL/P	COLD WATER LINE (POTABLE)
	CWR/P-P	COLD WATER RISER - PRESSURIZED (POTABLE)
	CWDF/P-G	COLD WATER DOWNFEED - GRAVITY (POTABLE)
	CWDF/P-P	COLD WATER DOWNFEED - PRESSURIZED (POTABLE)
	FC	FLEXIBLE CONNECTOR
	FV	FLOAT VALVE
	FTV	FOOT VALVE
	GV	GATE VALVE
	GLV	GLOBE VALVE
	HWL	HOT WATER LINE
	HWR	HOT WATER RETURN
	NCGV	NORMALLY-CLOSED GATE VALVE
	PRV	PRESSURE REGULATING/REDUCING VALVE
	SAV	SURGE ANTICIPATING VALVE
	UP	UNION PATENT
	WHA	WATER HAMMER ARRESTOR
	WL	WATER LEVEL
	WM	WATER METER
	YS	Y-STRAINER
SANITARY SEWER SYSTEM / WASTE SYSTEM		
	P	P-TRAP
	SJB	SEWER JUNCTION BOX
	SMH	SEWER MANHOLE
	SP	SOIL PIPE
	SS	SOIL STACK
	SAF	SOVENT AERATOR FITTING
	VP	VENT PIPE
	VS	VENT STACK
	VSTR/SVTR	VENT STACK THRU ROOF / STACK VENT THRU ROOF
	VSTW	VENT STACK THRU WALL
	WP	WASTE PIPE
	WS	WASTE STACK
STORMWATER DRAINAGE SYSTEM		
	CDP-I	CONDENSATE DRAIN PIPE (w/ INSULATION)
	CDS-I	CONDENSATE DRAIN STACK (w/ INSULATION)
	AD / PD / YD	AREA DRAIN / PARKING DRAIN / YARD DRAIN
	BD / CD	BALCONY DRAIN / CANOPY DRAIN
	DD / GD / TD	DECK DRAIN / GUTTER DRAIN / TRENCH DRAIN
	CB	CATCH BASIN
	DMH	DRAIN MANHOLE
	DP	DRAIN PIPE
	DS	DOWNSPOUT
	PDP	PERFORATED DRAIN PIPE
	PBD	PLUMBER'S BOX DRAIN
	SRD	SIPHONIC ROOF DRAIN
COMMON		
	CMH	CEILING MANHOLE
	CCO / WCO	CEILING / WALL CLEANOUT
	FCO	FLOOR CLEANOUT
	COTG	CLEANOUT TO GRADE
	DIA	DIAMETER
	SO-C	STUB-OUT / CAP
	SO-P	STUB-OUT / PLUG
OTHERS		
	45° OFFSET	45° OFFSET
	CROSSOVER	CROSSOVER
	ELBOW	ELBOW
	ELBOW UP	REDUCER/INCREASER CONCENTRIC
	ELBOW DOWN	REDUCER/INCREASER ECCENTRIC
	EXPANSION JOINT	EXPANSION JOINT
	FLANGE JOINT	TEE DOWN
	FLOW DIRECTION	TEE UP
	PIPE CUT	SPLASH

NOTE: NOT ALL ABBREVIATIONS and SYMBOLS SHOWN HEREIN ARE UTILIZED

PLUMBING and SANITARY ABBREVIATIONS:

ABBREVIATION	DESCRIPTIONS	ABBREVIATION	DESCR
&	AND	MAX	MAXIMUM
(a/s)	ABOVE SLAB	MECH.	MECHANICAL
(c/c)	ABOVE CEILING LEVEL	MH	MANHOLE
(u/f)	UNDER FLOOR	MIN	MINIMUM
(u/g)	UNDERGROUND	M/L	MID LEVEL
(u/s)	UNDERSLAB	MM / mm	MILLIMETER
(w/q)	WALL ATTACHED	MS	MOP SINK
(w/n)	WITHIN WALL (EMBEDDED)	MTD	MOUNTED
A		N	
AV	AIR ADMITTANCE VALVE	N/A	NOT APPLICABLE
ABV	ABOVE	NC	NORMALLY CLOSED
ACU	AIR CONDITIONING UNIT	NO	NORMALLY OPEN
AFL	ABOVE FINISHED FLOOR	NO.	NUMBER
AFG	ABOVE FINISHED GRADE	NOM	NOMINAL
AP	ACCESS PANEL	NTS	NOT TO SCALE
ARCH / ARCH'L	ARCHITECT / ARCHITECTURAL	O	
AV	AIR VENT	OC	ON CENTER
B		OD #	OUTSIDE DIAMETER
BEL	BELOW	OCFI	OWNER FURNISHED CONTRACTOR INSTALLED
BFF	BELOW FINISHED FLOOR	OFD	OVERFLOW DRAIN
BFP	BACKFLOW PREVENTOR	OH	OVERHEAD
BLDG	BUILDING	O/S	OFFSET
BOP	BOTTOM OF PIPE	OW	OIL WASTE
BV	BALL VALVE	P	
BW	BACK WATER VALVE	P	PUMP
C		P&S	PLUMBING & SANITARY
CAP	CAPACITY	PG/PAGES	PAGE/PAGES
CAF	CONDENSATE DRAIN FUNNEL	PH	PHASE
CAF	CAP FOR FUTURE	PID	PROCESS, INSTRUMENTATION & DIAGRAM
CI	CAST IRON	PLBG	PLUMBING
CM	CURB INLET MANHOLE	PN	NOMINAL PRESSURE
CLG	CEILING	POC	POINT OF CONNECTION
CONTIN	CONTINUATION	POD	POINT OF DISCONNECT
CP	CIRCULATING PUMP	PP	POLYPROPYLENE
CU	CONDENSATE UNIT	PPR-C	POLYPROPYLENE RANDOM COPOLYMER
CUM.	CUBIC METER	PS	PRESSURE SWITCH
C/W	COMPLETE WITH	PSI	POUNDS PER SQUARE INCHES
D		PSIA	PSI ABSOLUTE
DCVA	DOUBLE CHECK VALVE ASSEMBLY	PSIG	PSI GAUGE
DA #	DIAMETER	PVC	POLYVINYL CHLORIDE
DGI	DRAINAGE GRATE INLET	Q	
DN #	NOMINAL DIAMETER	QCV	QUICK COUPLING VALVE
DN	DOWN	QTY	QUANTITY
DSN	DOWNSPOUT NOZZLE	R	
E		RC	REINFORCED CONCRETE PIPE CURVERT
EA	EA	RCPC	REINFORCED CONCRETE PIPE CURVERT
ECC	ECCENTRIC	REQD	REQUIRED
EL	ELEVATION	RPV	REVOLUTION PER MINUTE
ELECT	ELECTRICAL	RM	ROOM
EQUIP	EQUIPMENT	RSB	REINFORCING STEEL BAR
ET	EXPANSION TANK	S	
EWS	EMERGENCY SHOWER & EYE WASH	S	SANITARY SEWER
EXT	EXTERNAL	SCH	THICK
F		SDR	STANDARD DIAMETER RATIO
F/A	FROM ABOVE	SE	SEWAGE INJECTOR
FC	FLEXIBLE CONNECTION	SHT	SHEET
FCW	FILTER COLD WATER	SM	SIMILAR
FFE	FINISHED FLOOR ELEVATION	SP	SUMP PUMP
FGE	FINISHED GRADE ELEVATION	SPEC	SPECIFICATION
FIN	FINISH	SQ	SQUARE
FLR	FLOOR	SS	STAINLESS STEEL
FS	FLOOR SWITCH	STRUCT.	STRUCTURAL
FT (*)	FEET / FOOT	SUSP	SUSPENDED
FV	FLUSH VALVE	SYM	SYMBOL
G		T	
GAL	GALLON	T/A	TO ABOVE
GEN	GENERAL	T/B	TO BELOW
GENCON	GENERAL CONTRACTOR	TDH	TOTAL DYNAMIC HEAD
GI	GALVANIZED IRON	TEMP	TEMPERATURE
GL	GRID LINE	THK	THICK
GPM	GALLONS PER MIN	TOP	TOP OF PIPE
GRD	GROUND	TP	TRANSFER PUMP
H		TPr	TRAP PRIMER
h	HEIGHT	TS	TECHNICAL SPECIFICATIONS
HD	HEAD	TYP	TYPICAL
HDPE	HIGH DENSITY POLYETHYLENE	U	
H/L	HIGH LEVEL	UL	UNDERWRITERS LABORATORY
HP	HORSEPOWER	UNO	UNLESS NOTED OTHERWISE
HZ	HERTZ	V	
I		V	VOLT
ID #	INSIDE DIAMETER	VEL	VELOCITY
IE	INVERT ELEVATION	VERT	VERTICAL
IN (*)	INCHES	VLV	VALVE
K		W	
KG	KILOGRAM	W	WASTE
KW	KILOWATT	w	WIDTH
L		WAP	WALL ACCESS PANEL
l	LENGTH	W/	WITH
L	LITER	W/OUT	WITHOUT
LBS	POUNDS	WHA	WATER HAMMER ARRESTOR
L/L	LOW LEVEL	WM	WATER METER
LOC	LOCATION	WT	WEIGHT
LPS	LITER PER SECOND	Ww	WASTEWATER DEPTH
M		WW	WASTEWATER LEVEL
M / m	METER		

MATERIAL SPECIFICATIONS:

PIPES, FITTINGS and APPURTENANCES (BASIS OF DESIGN)

COMPONENT	LOCATION / PART	MATERIAL	REFERENCE STANDARDS	CONNECTION TYPE	BRAND / MANUFACTURER	REMARKS
WATER DISTRIBUTION (POTABLE & NON-POTABLE)	OUTSIDE / EXTERIOR / EXPOSED (SERVICE MAIN TO CISTERN, TO RISERS, AND EXPOSED PART OF DOWNFEED)	GI PIPE SCH. 40	ASTM A-120-89 ASTM 197A, 1978-87 (JOINTS) ASTM A-53 ASTM 197A, 1978-87 (JOINTS)	≤ 60ID IS THREADED / SCREWED ≥ 63ID IS FLANGED	"SUPREME", "APO" OR APPROVED EQUAL	IF BURIED UNDERGROUND, SHALL BE WRAPPED OF BURLAP PIPES ON PLAN ARE ANNOTATED w/ INSIDE DIMENSION
	ROUGHING-INS / INTERIOR (MAIN INTERIOR DOWNFEED, BRANCHES FROM RISERS TO PLUMBING FIXTURES)	POLYPROPYLENE RANDOM COPOLYMER PN 16 (PPRC PN16)	ASTM 1281-93 DIN 8077/8078/16962/1988/2999 ISO 15874 BS 6920/3457, BS EN 1982/12163	FUSION WELDED	GERBERI, "EMERALD", "ATLANTA" OR APPROVED EQUAL	PIPES ON PLAN ARE ANNOTATED w/ OUTSIDE DIMENSION
SANITARY SEWER	STACKS, MAIN COLLECTORS BUILDING SEWER	POLYPROPYLENE RANDOM COPOLYMER PN 16 (PPRC PN16)	ASTM 1281-93 DIN 8077/8078/16962/1988/2999 ISO 15874 BS 6920/3457, BS EN 1982/12163	FUSION WELDED	GERBERI, "EMERALD", "ATLANTA" OR APPROVED EQUAL	PIPES ON PLAN ARE ANNOTATED w/ INSIDE DIMENSION
	LATERALS, BRANCHES	unPLASTICISED POLYVINYL CHLORIDE S1000 (PVC S1000)	ASTM-D1784/D1785/D2665/D2729 ASTM-D3311 / F1866 PNS 1950:2003	SOLVENT WELDED	GERBERI, "EMERALD", "ATLANTA" OR APPROVED EQUAL	PIPES ON PLAN ARE ANNOTATED w/ INSIDE DIMENSION
WASTE / GREASE LINE	STACKS, MAIN COLLECTORS LATERALS, BRANCHES	unPLASTICISED POLYVINYL CHLORIDE S1000 (PVC S1000)	ASTM-D1784/D1785/D2665/D2729 ASTM-D3311 / F1866 PNS 1950:2003	SOLVENT WELDED	GERBERI, "EMERALD", "ATLANTA" OR APPROVED EQUAL	PIPES ON PLAN ARE ANNOTATED w/ INSIDE DIMENSION
	BUILDING SEWER	unPLASTICISED POLYVINYL CHLORIDE S1000 (PVC S1000)	ASTM-D1784/D1785/D2665/D2729 ASTM-D3311 / F1866 PNS 1950:2003	SOLVENT WELDED	GERBERI, "EMERALD", "ATLANTA" OR APPROVED EQUAL	PIPES ON PLAN ARE ANNOTATED w/ INSIDE DIMENSION
VENT LINE	STACKS, MAIN COLLECTORS LATERALS, BRANCHES	unPLASTICISED POLYVINYL CHLORIDE S1000 (PVC S1000)	ASTM-D1784/D1785/D2665/D2729 ASTM-D3311 / F1866 PNS 1950:2003	SOLVENT WELDED	GERBERI, "EMERALD", "ATLANTA" OR APPROVED EQUAL	PIPES ON PLAN ARE ANNOTATED w/ INSIDE DIMENSION
	DOWNSPOUT, MAIN COLLECTORS	unPLASTICISED POLYVINYL CHLORIDE S1000 (PVC S1000)	ASTM-D1784/D1785/D2665/D2729 ASTM-D3311 / F1866 PNS 1950:2003	SOLVENT WELDED	GERBERI, "EMERALD", "ATLANTA" OR APPROVED EQUAL	PIPES ON PLAN ARE ANNOTATED w/ INSIDE DIMENSION
STORMWATER DRAINAGE	BRANCHES	unPLASTICISED POLYVINYL CHLORIDE S1000 (PVC S1000)	ASTM-D1784/D1785/D2665/D2729 ASTM-D3311 / F1866 PNS 1950:2003	SOLVENT WELDED	GERBERI, "EMERALD", "ATLANTA" OR APPROVED EQUAL	PIPES ON PLAN ARE ANNOTATED w/ INSIDE DIMENSION
	EXTERIOR DRAINAGE (SITE) (SUBJECT TO TRAFFIC LOADING)	REINFORCED CONCRETE PIPE CURVERT CLASS II (RCCB CLASS II)	ACPA MANUAL AASHTO M-170 ASTM C76-85 DPWH STANDARD	CEMENT MORTAR JOINTS	DWPH ACCREDITED MANUFACTURER / SUPPLIER	PIPES ON PLAN ARE ANNOTATED w/ INSIDE DIMENSION
CONDENSATE DRAINAGE	STACKS, MAIN COLLECTORS LATERALS, BRANCHES	≤ 40 ID - PVC CLASS 150 ≥ 50 ID - PVC CLASS 150	ASTM-D1784/D1785/D2665/D2729 ASTM-D3311 / F1866 PNS 1950:2003	SOLVENT WELDED	GERBERI, "EMERALD", "ATLANTA" OR APPROVED EQUAL	1/2" THK CLOSE CELL ELASTOMERIC THERMAL INSULATION "AEROFLEX" "THERMOFLEX" "K-FLEX" OR APPROVED EQUAL PIPES ON PLAN ARE ANNOTATED w/ INSIDE DIMENSION
	STACKS, MAIN COLLECTORS LATERALS, BRANCHES	unPLASTICISED POLYVINYL CHLORIDE S1000 (PVC S1000)	ASTM-D1784/D1785/D2665/D2729 ASTM-D3311 / F1866 PNS 1950:2003	SOLVENT WELDED	GERBERI, "EMERALD", "ATLANTA" OR APPROVED EQUAL	PIPES ON PLAN ARE ANNOTATED w/ INSIDE DIMENSION
CHECK VALVE	PUMPING SYSTEM	IRON BODY BRONZE TRIM	MSS SP-71	≤ 40ID IS THREADED / SCREWED ≥ 50ID IS FLANGED	"SIAM", "KITZ", "HONEYWELL" OR APPROVED EQUAL	SPRING LOADED VALVE DISC, RESILIENT SEAL BRONZE/STAINLESS STEEL REMOVABLE VALVE SEAT, RATED AT 150 PSIG, FLANGED CONNECTION
	OTHER THAN FOR PUMPING SYSTEM	BRONZE FINISHED	MSS SP-80	≤ 40ID IS THREADED / SCREWED ≥ 50ID IS FLANGED	"SIAM", "KITZ", "HONEYWELL" OR APPROVED EQUAL	SPRING LOADED VALVE DISC, RESILIENT SEAL BRONZE/STAINLESS STEEL REMOVABLE VALVE SEAT, RATED AT 120 PSIG, FEMALE THREADED CONNECTION
GATE VALVE	PUMPING SYSTEM	IRON BODY BRONZE TRIM	AWWA/ANSI C500-09 / MSS SP-80	≤ 40ID IS THREADED / SCREWED ≥ 50ID IS FLANGED	"SIAM", "KITZ", "HONEYWELL" OR APPROVED EQUAL	RISING STEM/NON-RISING STEM RATED AT 150 PSIG, BRONZE FINISHED RISING STEM OUTSIDE SCREW & YOKE (OS&Y) RATED AT 150 PSIG, BRONZE FINISHED, FLANGE CONNECTION
	OTHER THAN FOR PUMPING SYSTEM	BRONZE FINISHED	AWWA/ANSI C500-09	≤ 40ID IS THREADED / SCREWED ≥ 50ID IS FLANGED	"SIAM", "KITZ", "HONEYWELL" OR APPROVED EQUAL	RISING STEM/NON-RISING STEM RATED AT 150 PSIG, BRONZE FINISHED RISING STEM OUTSIDE SCREW & YOKE (OS&Y) RATED AT 150 PSIG, BRONZE FINISHED, FLANGE CONNECTION
FLOAT VALVE	WATER TANKS	BRASS	AWWA/ANSI C500-09	≤ 40ID IS THREADED / SCREWED ≥ 50ID IS FLANGED	"BERMAD 705-66" OR APPROVED EQUAL	CLASS 150
				≤ 40ID IS THREADED / SCREWED ≥ 50ID IS FLANGED	"BERMAD AF 70F" OR APPROVED EQUAL	CLASS 150, NUTS & BOLTS SHALL BE GALVANIZED, BASKET & BASKET LATCH SHALL BE STAINLESS STEEL
WYE STRAINER	PUMPING SYSTEM, SERVICE CONNECTION	COPPER ALLOY / CAST IRON BODY	AWWA C701	≤ 40ID IS THREADED / SCREWED ≥ 50ID IS FLANGED	"ARAD", "SYNERGY", "SAPPELL", "E-JET" OR APPROVED EQUAL	MUST BE MWSS APPROVED TYPE & MATERIAL, CAN BE BMS COMPATIBLE, WIRELESS, CAPABLE OF TRANSFERRING DATA FOR CENTRAL READING
				≤ 40ID IS THREADED / SCREWED ≥ 50ID IS FLANGED	"ARAD", "SYNERGY" OR APPROVED EQUAL	ALL DRAINAGE MANHOLES ARE TRAFFIC-RATED, GRATED TYPE INLET CAN BE CHANGED TO CURB INLET DEPENDING ON LOCATION
DRAINAGE MANHOLE	EXTERIOR DRAINAGE (SITE) (SUBJECT TO TRAFFIC LOADING)	REINFORCED CONCRETE	DPWH BLUE BOOK / STANDARD	BOOT CONNECTOR	DWPH ACCREDITED MANUFACTURER / SUPPLIER	
ROOF DRAIN	DECK	CAST IRON BODY	ANSI A112.21.2M	AS PER BRAND SPECIFIED	"JAMAN", "UNILEX" OR APPROVED EQUAL	DOME TYPE STRAINER
WATER HAMMER ARRESTOR	WATER LINE	BRASS	PDI WH201	THREADED / SCREWED	"ARAD", "SYNERGY" OR APPROVED EQUAL	SHALL BE INSTALLED IF NEEDED

NOTE: "APPROVED EQUAL" SHALL BE APPROVED THRU REQUEST OF APPROVAL TO THE UNDERWRITING SANITARY ENGINEER (USE). FOR MAJOR ITEMS, THE BE AFTER EVALUATION SHALL WRITE RECOMMENDATION TO END-USER/OWNER and SHALL BE APPROVED BY BOTH "APPROVED EQUAL" SHALL BE THE CONTRACTORS BURDEN OF PROOF.

<p>ENRIQUE O. OLANON & ASSOCIATES ARCHITECTS ENGINEERS CONSULTANTS</p> <p>IN JOINT VENTURE WITH</p> <p>ENRIQUE O. OLANON & ASSOCIATES, CO. ARCHITECTS ENGINEERS CONSULTANTS</p>	<p>ENGINEER:</p> <p>VICTORIA ADEGER SANITARY ENGINEER</p> <p>PRC No.: 0001927 PTR No.: 4580635 PRC Validity: March 23, 2024 PTR Date: January 07, 2021 TIN No.: 1108-318-662 PTR Place: Pasay City</p>	<p>REPUBLIC ACT 9266</p> <p>DRAWINGS AND SPECIFICATIONS AND OTHER CONTRACT DOCUMENTS DULY SIGNED, STAMPED OR SEALED, AS INSTRUMENTS OF SERVICE, ARE THE INTELLECTUAL PROPERTY AND DOCUMENT OF THE ARCHITECT. WHETHER THE OBJECT FOR WHICH THEY ARE MADE IS EXECUTED OR NOT, IT SHALL BE UNLAWFUL FOR ANY PERSON TO DUPLICATE OR TO MAKE COPIES OF SAID DOCUMENTS FOR USE IN THE REPRODUCTION OF AND FOR OTHER PROJECTS OR BUILDINGS, WHETHER EXECUTED PARTLY OR IN WHOLE, WITHOUT THE WRITTEN CONSENT OF ARCHITECT OR AUTHOR OF SAID DOCUMENT.</p>	<p>PROJECT:</p> <p>PROPOSED ACADEMIC BUILDING II</p>
---	--	--	---

GENERAL NOTES: FOR REFERENCE ONLY, EXCLUDED IN PHASE 1

SCHEDULE OF PLUMBING AND SANITARY EQUIPMENT

PUMPS

MARK	ITEM	QTY	TYPE	PUMP CAPACITY		MOTOR CAPACITY <small>(PLEASE VERIFY w/ PEE DESIGNER)</small>				CONTROLLER / ACCESSORIES <small>(PLEASE VERIFY w/ PEE DESIGNER)</small>	LOCATION	REMARKS	
				FLOW (GPM)	TDH (FT)	POWER (HP)	VOLTAGE (V)	PHASE	CYCLE (Hz)				TYPE
DUPLEX CPS 5.0HP	BOOSTER PUMP (CONSTANT PRESSURE SYSTEM)	1 SET (DUPLICATE)	DUPLEX TYPE VERTICAL IN-LINE, MULTI-STAGE, CENTRIFUGAL PUMP w/ STAINLESS STEEL IMPELLER, SHAFT + INTERMEDIATE CHAMBER, CAST IRON PUMP HEAD & BASE CLOSE-COUPLED TO VERTICAL ELECTRIC MOTOR w/ INTEGRATED FREQUENCY CONVERTER REQUIRED TOTAL SYSTEM FLOW = 160 GPM	PUMP 1		230	3	60	Electric Driven Open Drip Proof	DUPLEX TYPE, WYE DELTA, COMBINATION MAGNETIC STARTER, COMPLETE w/ INDIVIDUAL MOLDED CASE CIRCUIT BREAKER, THERMAL OVERLOAD RELAY, CONTROL CIRCUIT BREAKER, CONTROL TRANSFORMER, BW LIQUID LEVEL RELAY (LH/RH), ALTERNATING RELAY, INDICATING LIGHTS (POWER ON & OFF), START & STOP PUSH BUTTONS, H-O-A SELECTOR SWITCH & TERMINAL BLOCKS WIRED IN NEMA 12 WALL MOUNTED ENCLOSURE.	DECK FLOOR PUMP HOUSE	AUTOMATIC OPERATION 2 UNITS OPERATIONAL DEPENDING ON SYSTEM DEMAND	
				80	100								5
				80	100								5

TANKS

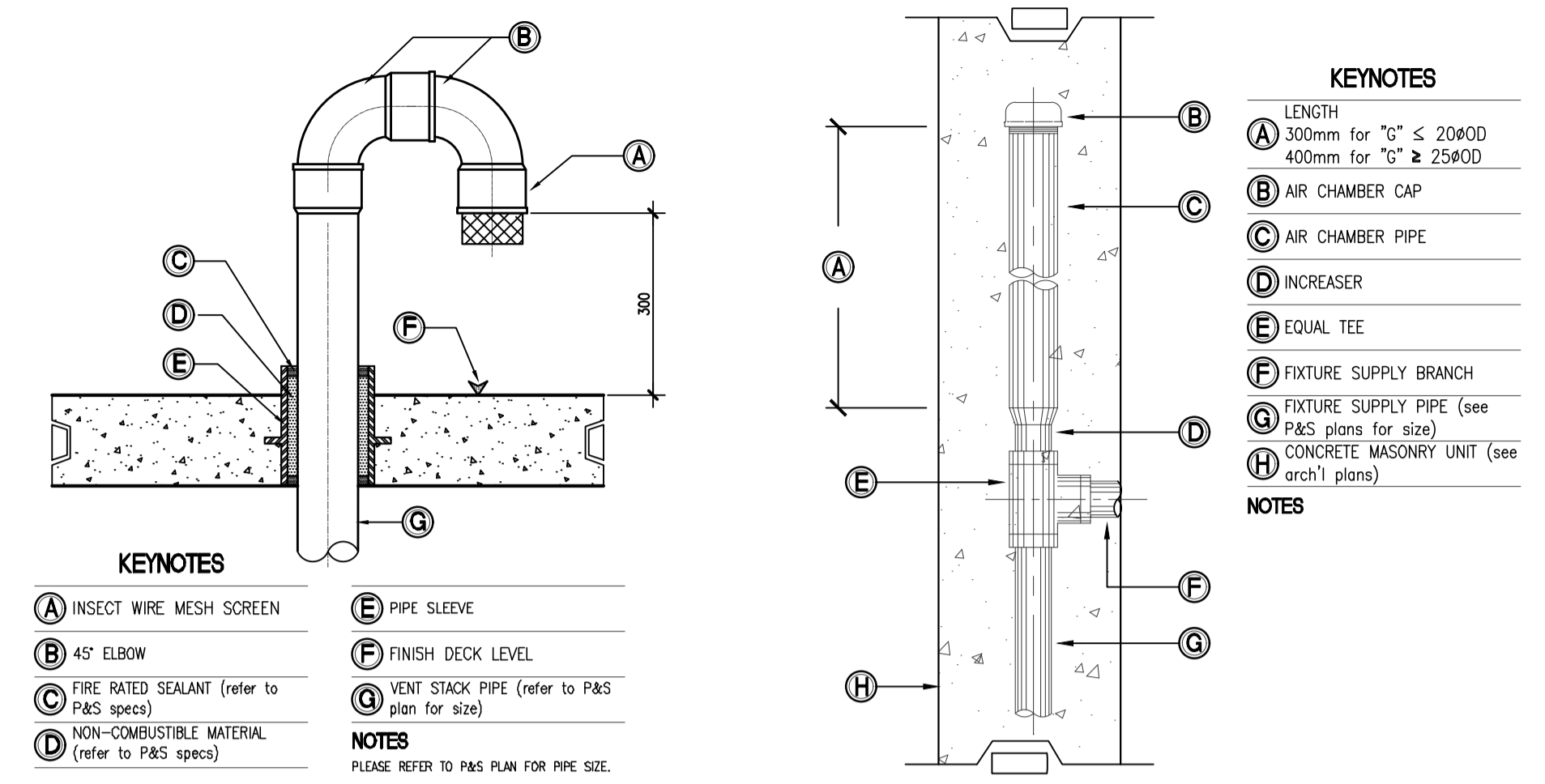
MARK	ITEM	QTY	CHAMBERS	CAPACITY <small>(Liters)</small>	INSIDE DIMENSIONS				LOCATION	REMARKS
					LENGTH <small>(mm)</small>	WIDTH <small>(mm)</small>	HEIGHT <small>(mm)</small>	FREE BOARD <small>(mm)</small>		
01 WT 2.8CU M	POTABLE WATER CISTERN TANK	2 UNIT / S	1ST	12800	3590	2450	2530	300	AT DECK FLOOR (ON-GROUND)	<ul style="list-style-type: none"> POLYETHYLENE TYPE LINEAR DIMENSIONS ARE ALL IN CLEAR INSIDE WALL PARTITION (2 CHAMBERS) OVERFLOW BOX WITH PIPE EA CHAMBER DRAIN VALVE AT EA CHAMBER MANHOLE AT EA CHAMBER 2-100Ø AIR VENT AT EA CHAMBER LADDER RUNG AT EA CHAMBER BALANCING VALVE BET CHAMBERS SUPPORT BY STRUCTURAL ENGR
02 WT 2.8CU M			2ND	12800	3590	2450	2530	300		

WATER HEATER

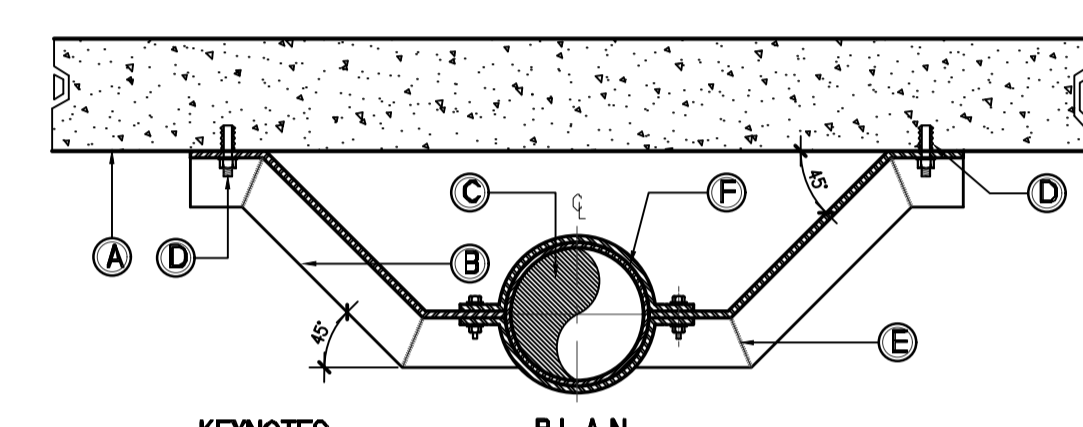
MARK	ITEM	QTY	DETAILS	FLOW <small>(LPM)</small>	CWL <small>(mm OD)</small>	POWER <small>(KW)</small>	VOLTAGE <small>(V)</small>	PRESSURE <small>(max/min) PSI</small>	CYCLE <small>(Hz)</small>	LOCATION	REMARKS
01 WH-SF 3.5KW	WATER HEATER (SINGLE POINT)	1 SET/S	WITH TEMPERATURE ADJUSTMENT / LIMITER, DIGITAL LED INDICATOR PANEL DISPLAY, ELECTRONIC FLOW SENSOR / AUTOMATIC, BUILT-IN ELCB, WATER RESISTANCE IP24 (min), WATER FILTER MESH, COPPER TUBE HEAT EXCHANGER	1.2 (min)	20	3500 (min)	230	(40/1.5)	60	TOILET	FEATURES MAY VARY w/ DIFFERENT BRANDS NOTE: ACTUAL ITEM FOR INSTALLATION SHALL BE APPROVED BY AOR. THIS TABLE IS FOR GUIDANCE ONLY.

SEPTIC TANK

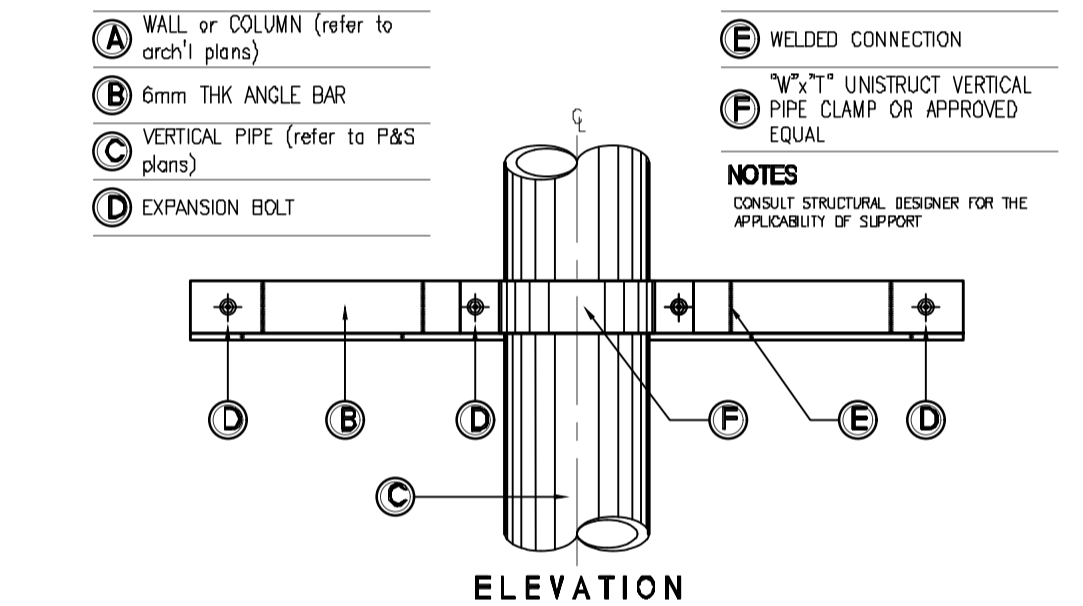
MARK	ITEM	QTY	DIGESTIVE CHAMBERS	CAPACITY <small>(GALS)</small>	INSIDE DIMENSIONS				WW _D <small>(mm)</small>	LOCATION	REMARKS
					LENGTH <small>(mm)</small>	WIDTH <small>(mm)</small>	HEIGHT <small>(mm)</small>	FREE BOARD <small>(mm)</small>			
01 ST 45.5CU M	SEPTIC TANK	1 UNIT / S	1ST	6150	3600	3600	2200	400	1800	AT LOWER GROUND (UNDERGROUND)	<ul style="list-style-type: none"> REINFORCED CONCRETE TYPE LINEAR DIMENSIONS ARE ALL IN CLEAR INSIDE WALL PARTITION (3 CHAMBERS) LADDER RUNG AT EA CHAMBER MANHOLE AT EA CHAMBER 100Ø CO ON TOP AT EA CONNECTING TEE 1-100Ø AIR VENT AT EA CHAMBER STRUCTURAL DESIGN BY STRUCT ENGR
			2ND	2990	1800	3600	2200	450	1750		
			3RD	2900	1800	3600	2200	500	1700		



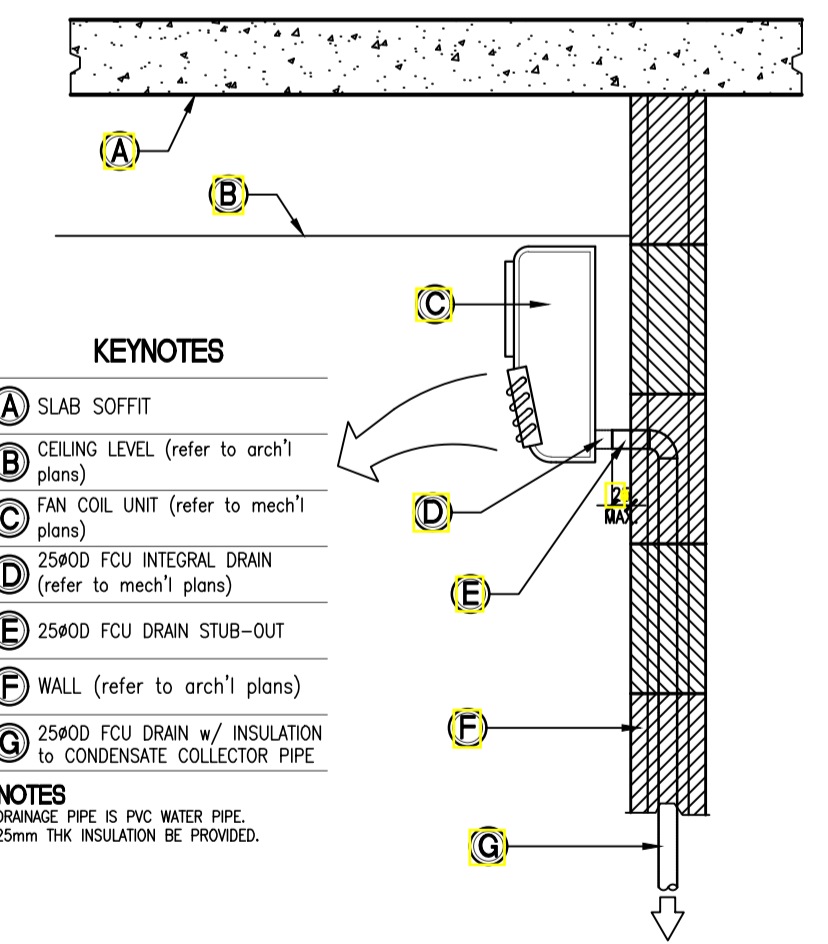
01 VENT STACK THRU DECK DETAIL
P8-03 / SCALE



02 AIR CHAMBER DETAIL
P8-03 / SCALE



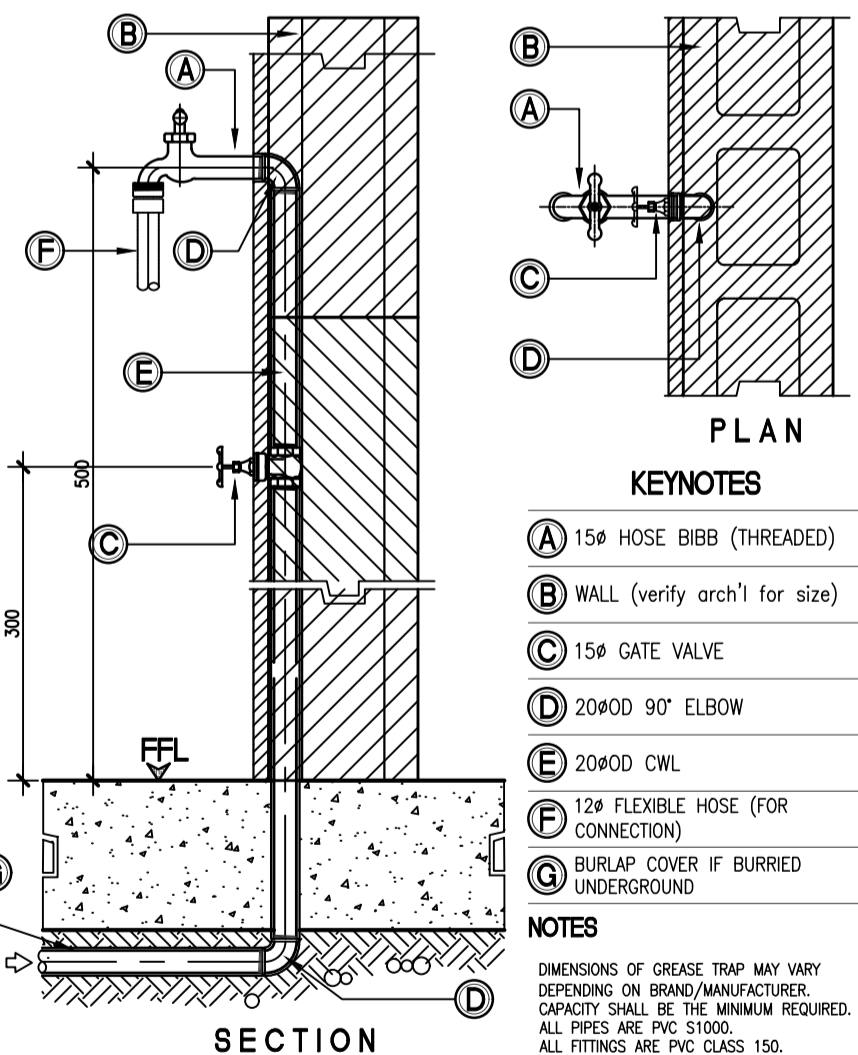
03 RISER SWAY DETAIL
P8-03 / SCALE



04 VENT STACK THRU WALL DETAIL
P8-03 / SCALE



05 WALL MOUNTED AC UNIT CONDENSATE DRAIN DETAIL
P8-03 / SCALE



06 WALL EMBEDDED PIPING HOSE BIBB DETAIL
P8-03 / SCALE

ENRIQUE O. OLONAN & ASSOCIATES
ARCHITECTS ENGINEERS CONSULTANTS

IN JOINT VENTURE WITH

ENRIQUE O. OLONAN & ASSOCIATES, CO.
ARCHITECTS ENGINEERS CONSULTANTS

SUITE 305 XAVIERVILLE SQUARE CONDOMINIUM NO. 38 XAVIERVILLE AVEL LOROLA HEIGHTS, QUEZON CITY, 1108
TEL NOS: 426 7009; 426 9040-44
FAX NOS: 927 0608; 426 7214

ENGINEER:

VICTORIA ADEDECER
SANITARY ENGINEER

PRC No.: 0001927 PTR No.: 4580635
PRC Validity: March 23, 2024 PTR Date: January 07, 2021
TIN No.: 1108-318-662 PTR Place: Pasay City

REPUBLIC ACT 9266

DRAWINGS AND SPECIFICATIONS AND OTHER CONTRACT DOCUMENTS DULY SIGNED, STAMPED OR SEALED, AS INSTRUMENTS OF SERVICE, ARE THE INTELLECTUAL PROPERTY AND DOCUMENT OF THE ARCHITECT. WHETHER THE OBJECT FOR WHICH THEY ARE MADE IS EXECUTED OR NOT, IT SHALL BE UNLAWFUL FOR ANY PERSON TO DUPLICATE OR TO MAKE COPIES OF SAID DOCUMENTS FOR USE IN THE REPRODUCTION OF AND FOR OTHER PROJECTS OR BUILDINGS, WHETHER EXECUTED PARTLY OR IN WHOLE, WITHOUT THE WRITTEN CONSENT OF ARCHITECT OR AUTHOR OF SAID DOCUMENT.

PROJECT:

DESIGNED FOR:

REPUBLIC OF THE PHILIPPINES
PHILIPPINE SCIENCE HIGH SCHOOL - MIMAROPA REGIONAL CAMPUS

PROPOSED ACADEMIC BUILDING II

LOCATION: Brgy. Rizal, Odiongan, Romblon

RECOMMENDING APPROVAL:

APPROVED BY:

MERIAM F. FALLAR
FAD CHIEF

EDWARD C. ALBARACIN
CAMPUS DIRECTOR

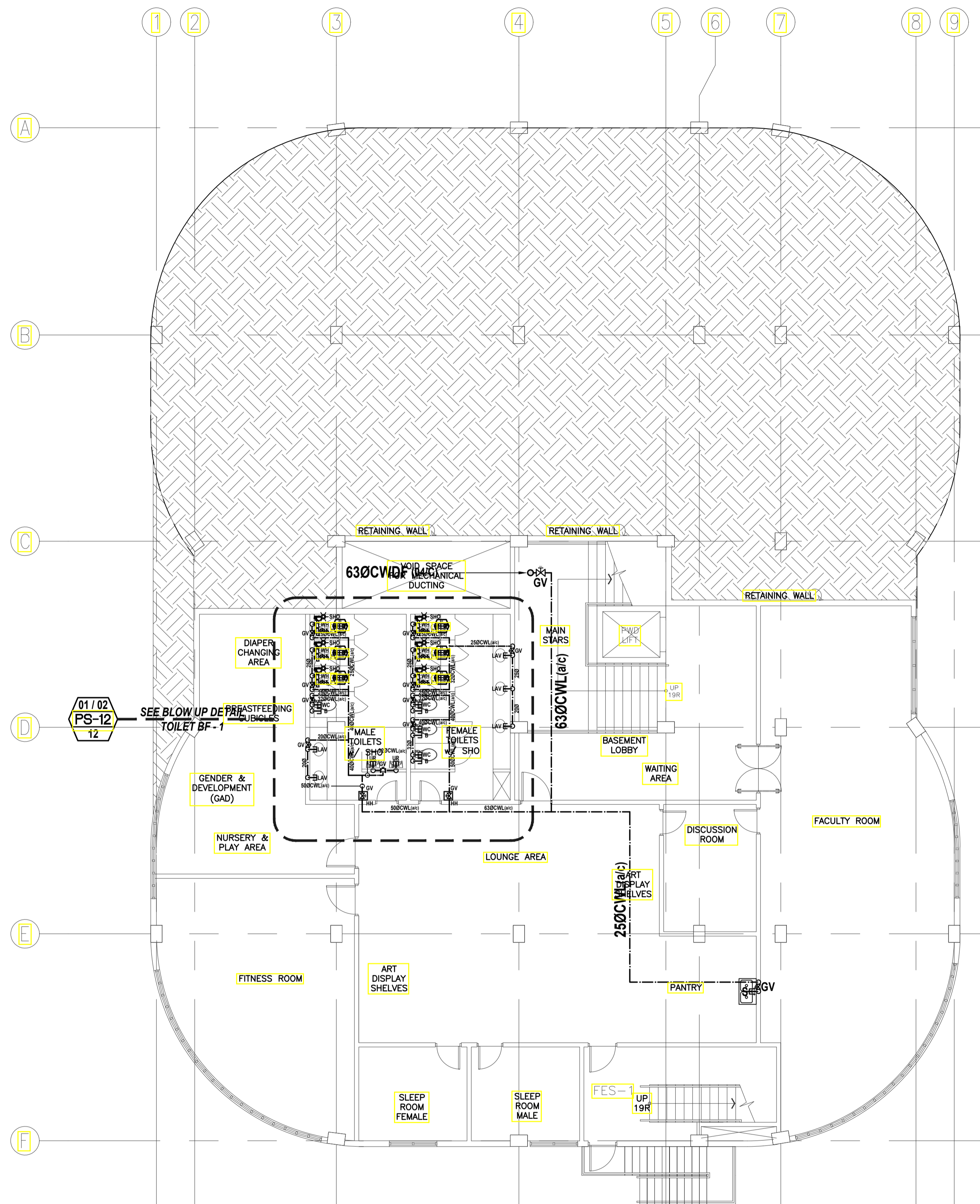
SHEET CONTENTS:

SCHEDULE OF PLUMBING & SANITARY EQUIPMENT MISCELLANEOUS DETAILS

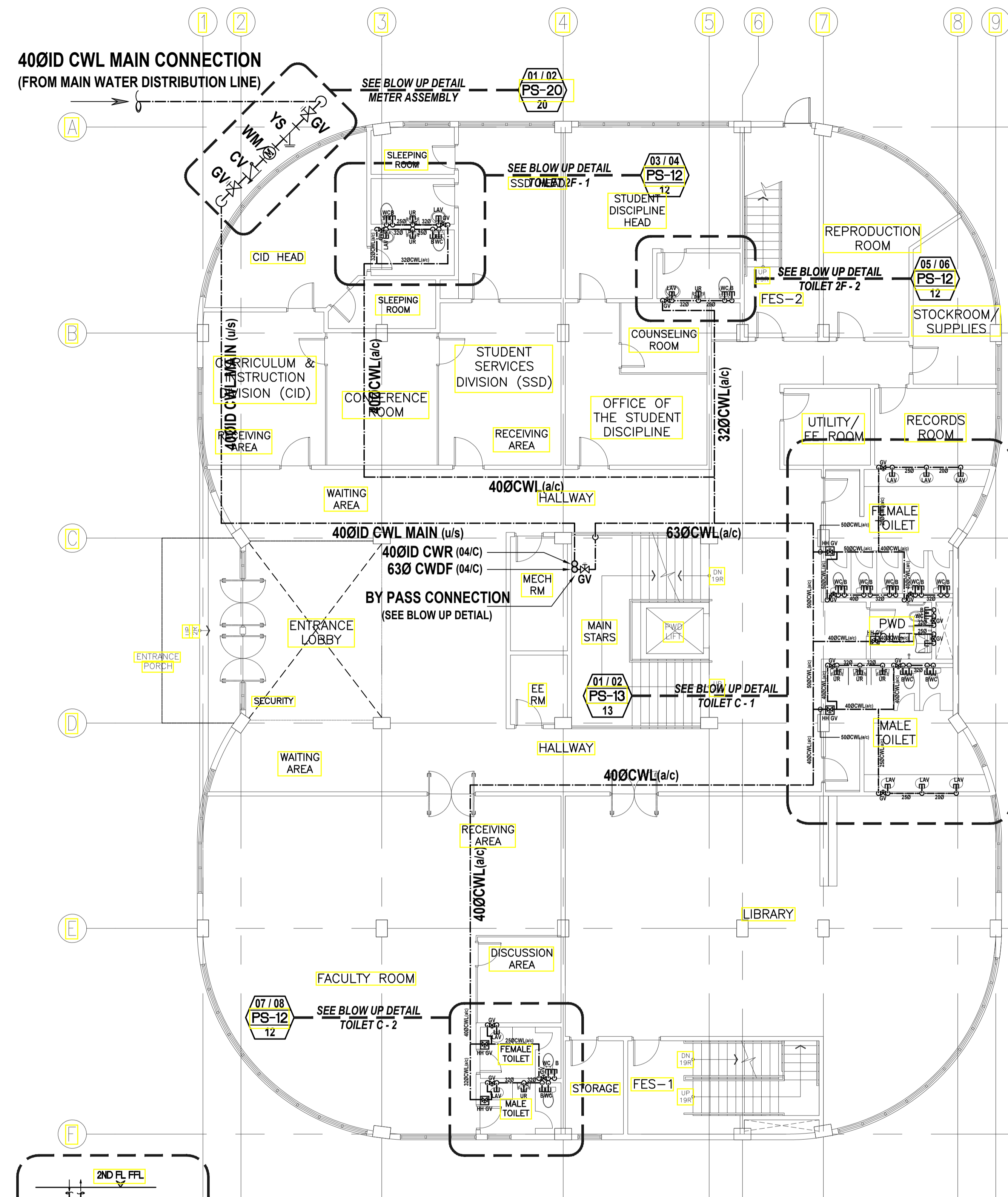
SHEET NO:

PS
03 21

GENERAL NOTES: PROVIDE PLUMBING STUB OUT FOR BASEMENT AND GROUND FLOOR



01
PS-04
ACADEMIC BUILDING II
BASEMENT FLOOR
WATER SUPPLY DISTRIBUTION SYSTEM LAYOUT
SCALE: 1:100m



02
PS-04
ACADEMIC BUILDING II
GROUND FLOOR
WATER SUPPLY DISTRIBUTION SYSTEM LAYOUT
SCALE: 1:100m

ENRIQUE O. OLANAN & ASSOCIATES
ARCHITECTS ENGINEERS CONSULTANTS

IN JOINT VENTURE WITH

ENRIQUE O. OLANAN & ASSOCIATES, CO.
ARCHITECTS ENGINEERS CONSULTANTS

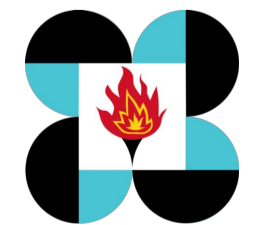
SUITE 305
XAVIERVILLE SQUARE
CONDOMINIUM
NO. 38 XAVIERVILLE
AVENUE, LOROLA HEIGHTS,
QUEZON CITY, 1108
TEL NOS: 426 7009;
426 3040-44
FAX NOS: 927 0608;
426 7214

ENGINEER: VICTORIA ADEKER SANITARY ENGINEER	
PRC No.: 0001927	PTR No.: 4580635
PRC Validity: March 23, 2024	PTR Date: January 07, 2021
TIN No.: 1108-318-662	PTR Place: Pasay City

REPUBLIC ACT 9266
DRAWINGS AND SPECIFICATIONS AND OTHER CONTRACT DOCUMENTS DULY SIGNED, STAMPED OR SEALED, AS INSTRUMENTS OF SERVICE, ARE THE INTELLECTUAL PROPERTY AND DOCUMENT OF THE ARCHITECT. WHETHER THE OBJECT FOR WHICH THEY ARE MADE IS EXECUTED OR NOT, IT SHALL BE UNLAWFUL FOR ANY PERSON TO DUPLICATE OR TO MAKE COPIES OF SAID DOCUMENTS FOR USE IN THE REPRODUCTION OF AND FOR OTHER PROJECTS OR BUILDINGS, WHETHER EXECUTED PARTY OR IN WHOLE, WITHOUT THE WRITTEN CONSENT OF ARCHITECT OR AUTHOR OF SAID DOCUMENT.

PROJECT:
**PROPOSED
ACADEMIC BUILDING II**

LOCATION: Brgy. Rizal, Odiangan, Romblon

DESIGNED FOR:

REPUBLIC OF THE PHILIPPINES
PHILIPPINE SCIENCE HIGH SCHOOL -
MIMAROPA REGIONAL CAMPUS

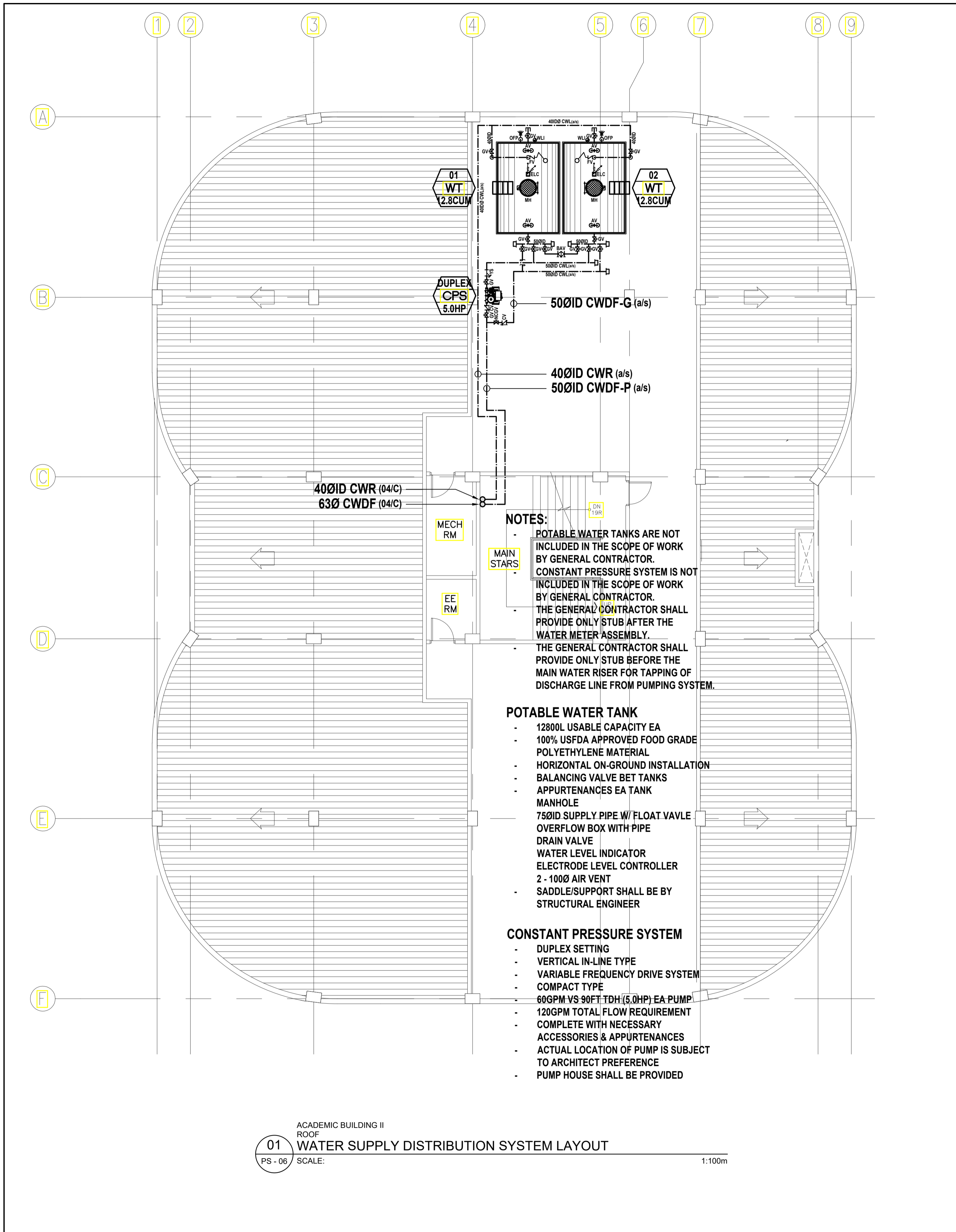
RECOMMENDING APPROVAL:
MERIAM F. FALLAR
FAD CHIEF

APPROVED BY:
EDWARD C. ALBARACIN
CAMPUS DIRECTOR

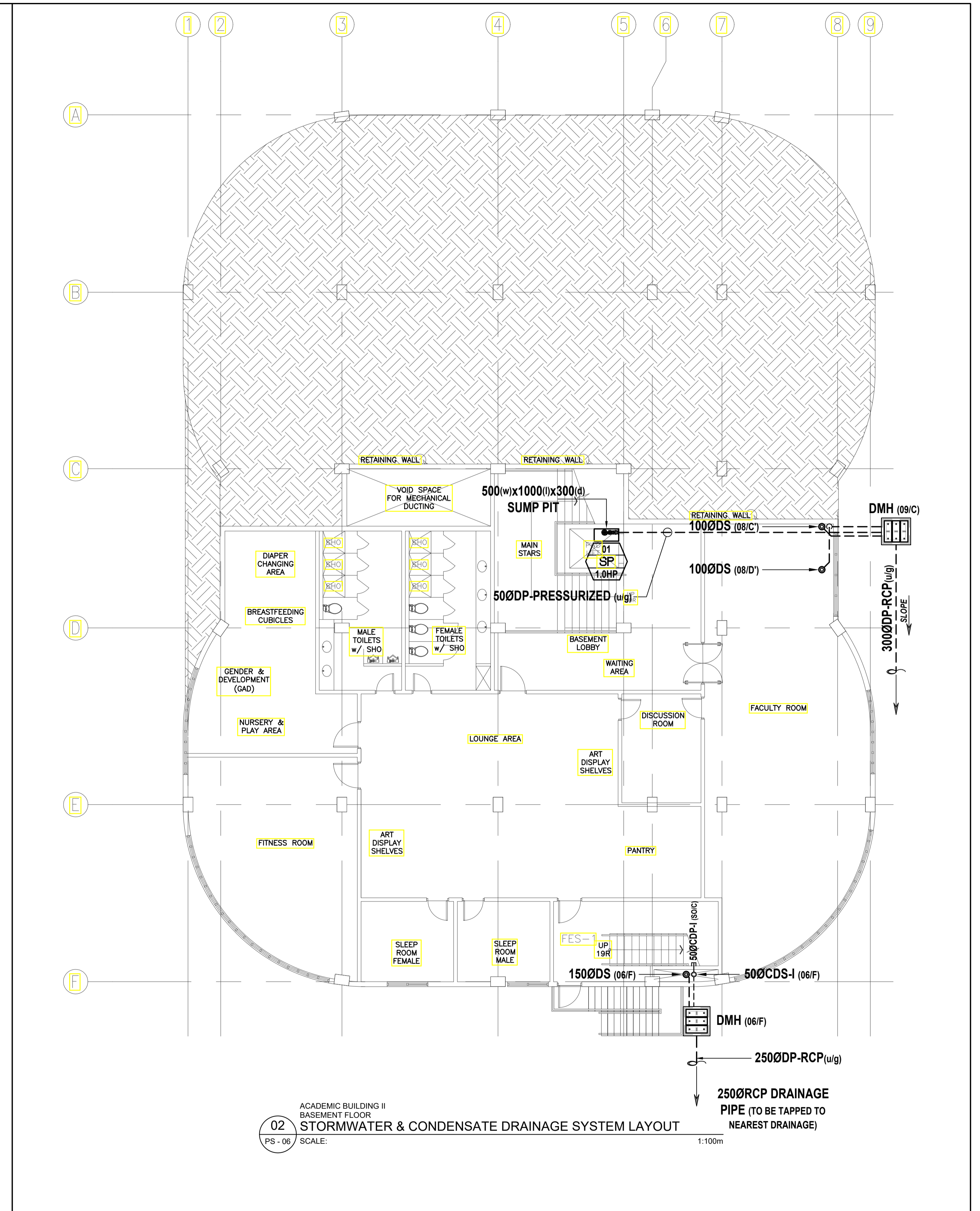
SHEET CONTENTS:
- WATER SUPPLY DISTRIBUTION SYSTEM
- BASEMENT FLOOR
- GROUND FLOOR

SHEET NO:
**PS
04 21**

GENERAL NOTES: PROVIDE PLUMBING STUB OUT FOR BASEMENT AND GROUND FLOOR



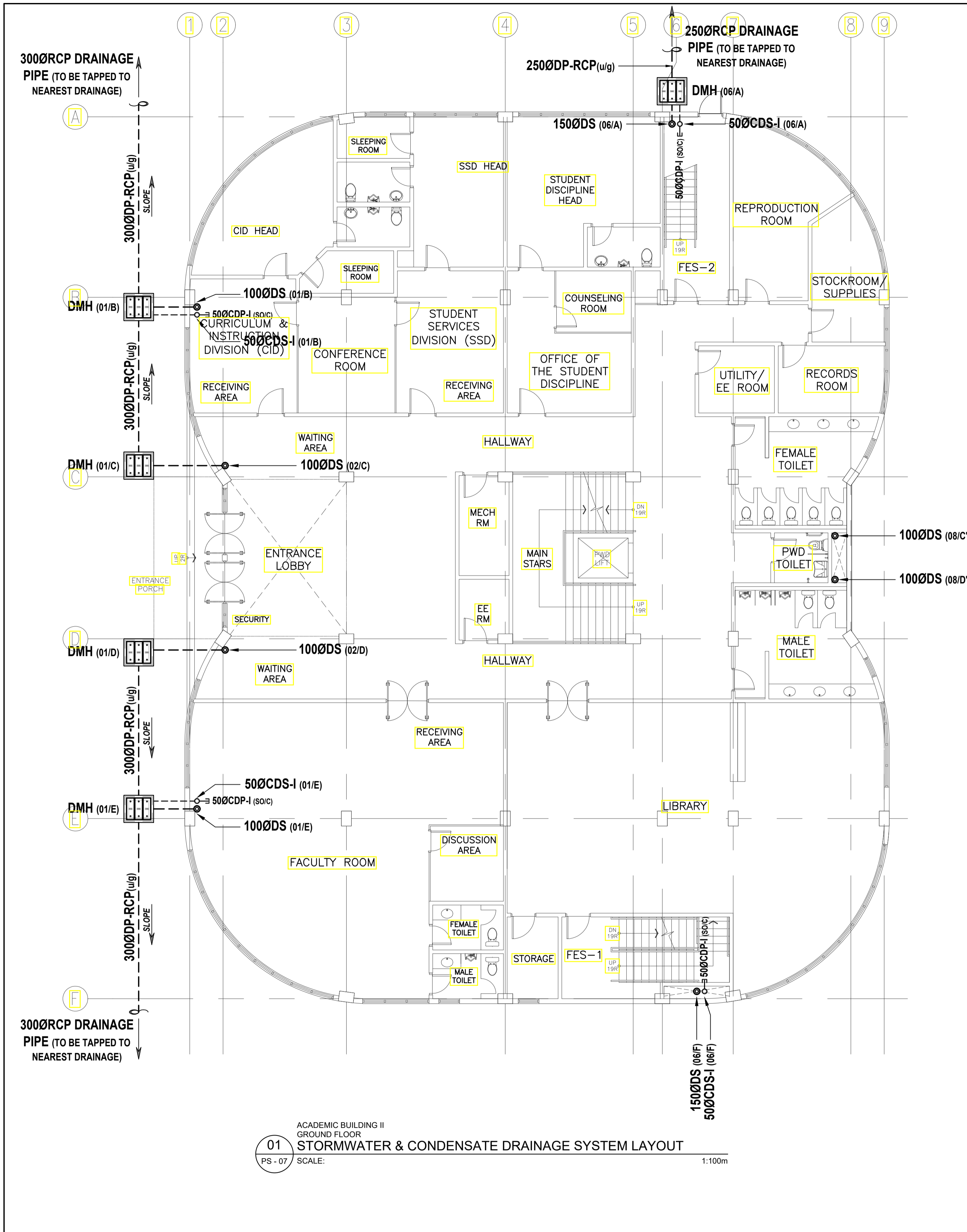
ACADEMIC BUILDING II
ROOF
01 WATER SUPPLY DISTRIBUTION SYSTEM LAYOUT
PS - 06 SCALE: 1:100m



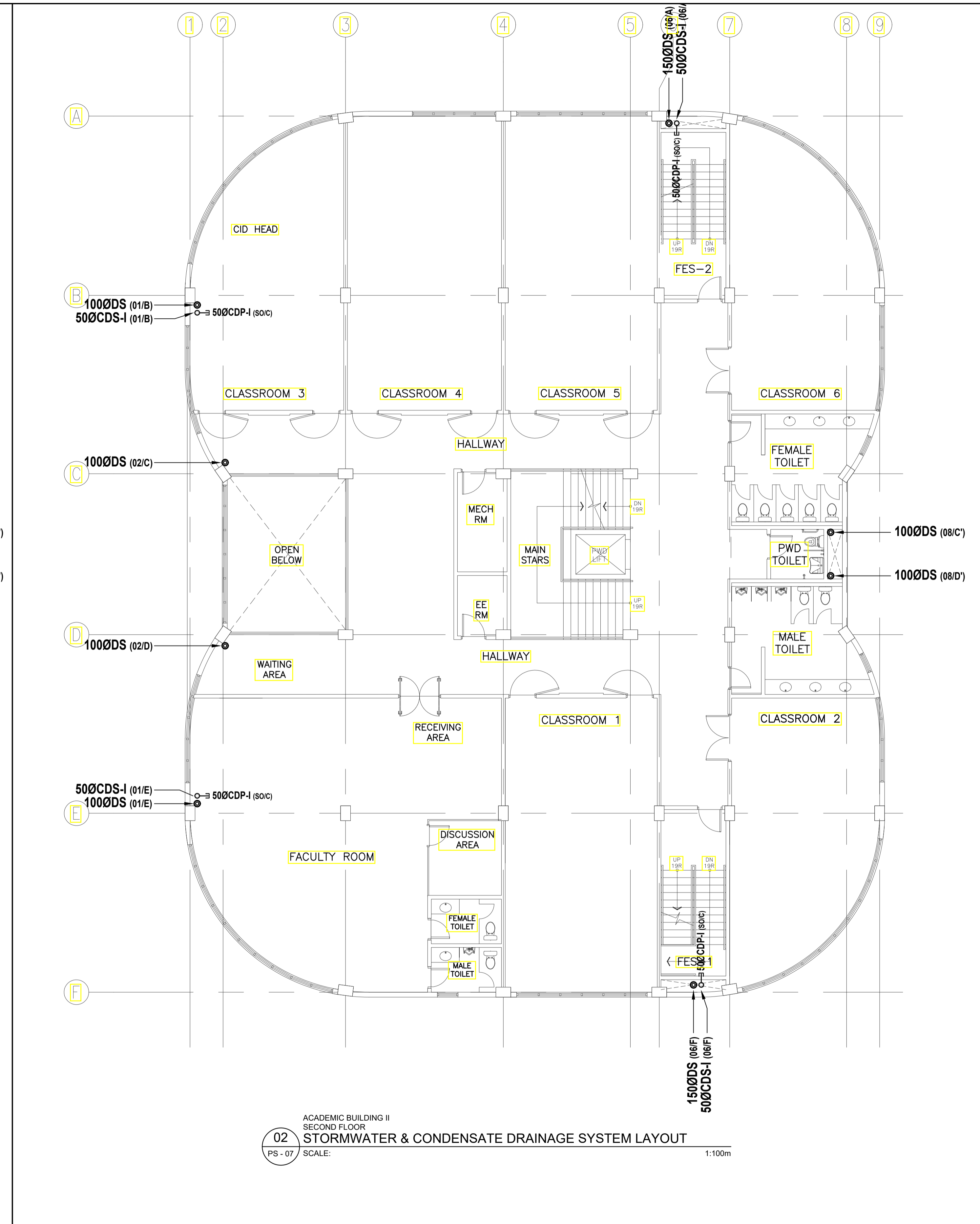
ACADEMIC BUILDING II
BASEMENT FLOOR
02 STORMWATER & CONDENSATE DRAINAGE SYSTEM LAYOUT
PS - 06 SCALE: 1:100m

<p>ENRIQUE O. OLANON & ASSOCIATES ARCHITECTS ENGINEERS CONSULTANTS</p> <p><i>IN JOINT VENTURE WITH</i></p> <p>ENRIQUE O. OLANON & ASSOCIATES, CO. ARCHITECTS ENGINEERS CONSULTANTS</p> <p>SUITE 305 XAVIERVILLE SQUARE CONDOMINIUM NO. 38 XAVIERVILLE AVELOROLA HEIGHTS, QUEZON CITY, 1108 TEL NOS: 426 7009; 426 90044 FAX NOS: 927 0608; 426 7214</p>	<p>ENGINEER:</p> <p>VICTORIA ADEKER SANITARY ENGINEER</p> <p>PRC No.: 0001927 PTR No.: 4580635 PRC Validity: March 23, 2024 PTR Date: January 07, 2021 TIN No.: 1108-318-662 PTR Place: Pasay City</p>	<p>REPUBLIC ACT 9266</p> <p>DRAWINGS AND SPECIFICATIONS AND OTHER CONTRACT DOCUMENTS DULY SIGNED, STAMPED OR SEALED, AS INSTRUMENTS OF SERVICE, ARE THE INTELLECTUAL PROPERTY AND DOCUMENT OF THE ARCHITECT. WHETHER THE OBJECT FOR WHICH THEY ARE MADE IS EXECUTED OR NOT, IT SHALL BE UNLAWFUL FOR ANY PERSON TO DUPLICATE OR TO MAKE COPIES OF SAID DOCUMENTS FOR USE IN THE REPRODUCTION OF AND FOR OTHER PROJECTS OR BUILDINGS, WHETHER EXECUTED PARTY OR IN WHOLE, WITHOUT THE WRITTEN CONSENT OF ARCHITECT OR AUTHOR OF SAID DOCUMENT.</p>	<p>PROJECT:</p> <p>PROPOSED ACADEMIC BUILDING II</p> <p>LOCATION: Brgy. Rizal, Odiangan, Romblon</p>	<p>DESIGNED FOR:</p> <p>REPUBLIC OF THE PHILIPPINES PHILIPPINE SCIENCE HIGH SCHOOL - MIMAROPA REGIONAL CAMPUS</p>	<p>RECOMMENDING APPROVAL:</p> <p>MERIAM F. FALLAR FAD CHIEF</p>	<p>APPROVED BY:</p> <p>EDWARD C. ALBARACIN CAMPUS DIRECTOR</p>	<p>SHEET CONTENTS:</p> <p>WATER SUPPLY DISTRIBUTION SYSTEM - ROOF STORMWATER & CONDENSATE DRAINAGE SYSTEM - BASEMENT FLOOR</p>	<p>SHEET NO:</p> <p>PS 06 21</p>
---	---	---	---	---	--	---	--	---

GENERAL NOTES: PROVIDE PLUMBING STUB OUT FOR BASEMENT AND GROUND FLOOR



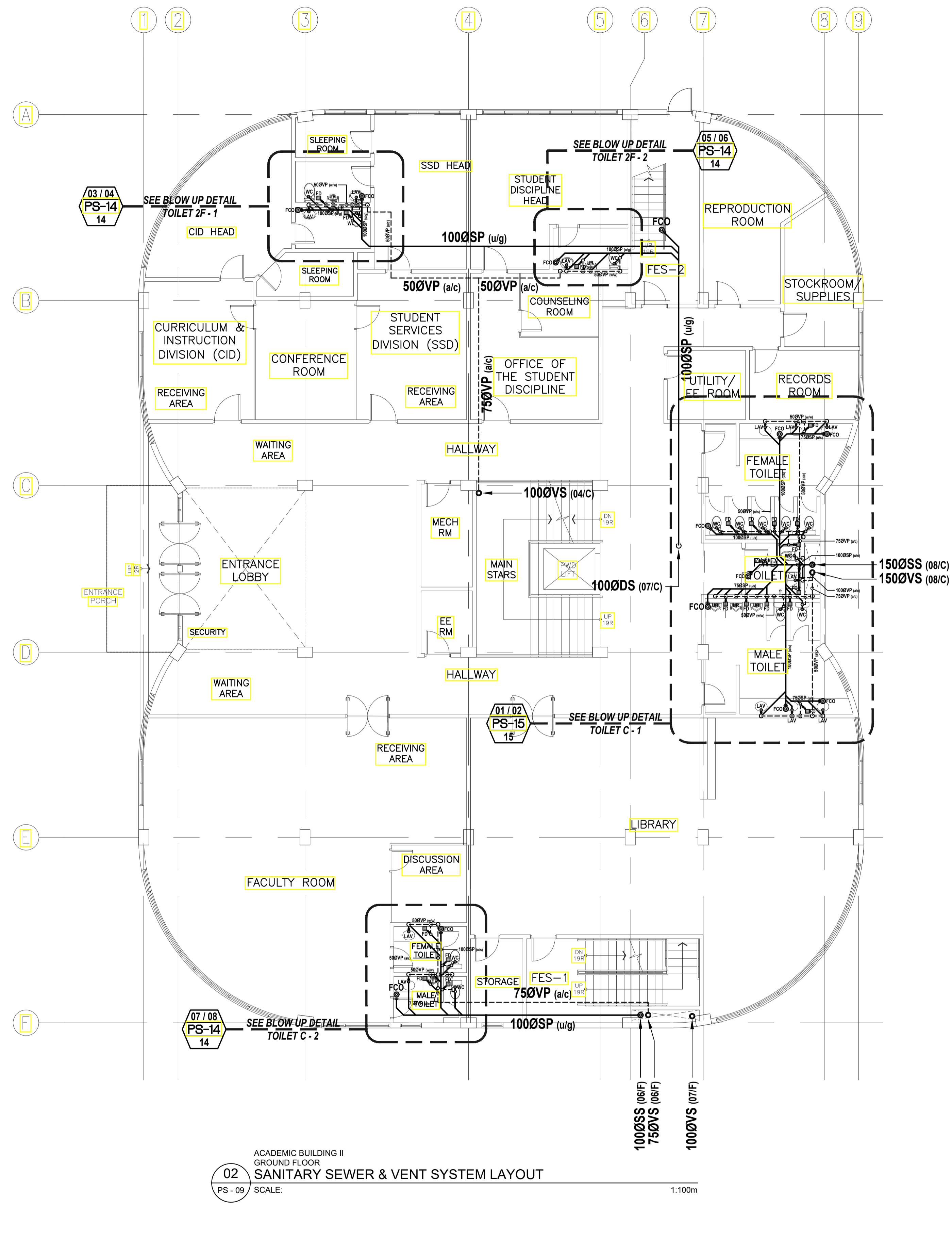
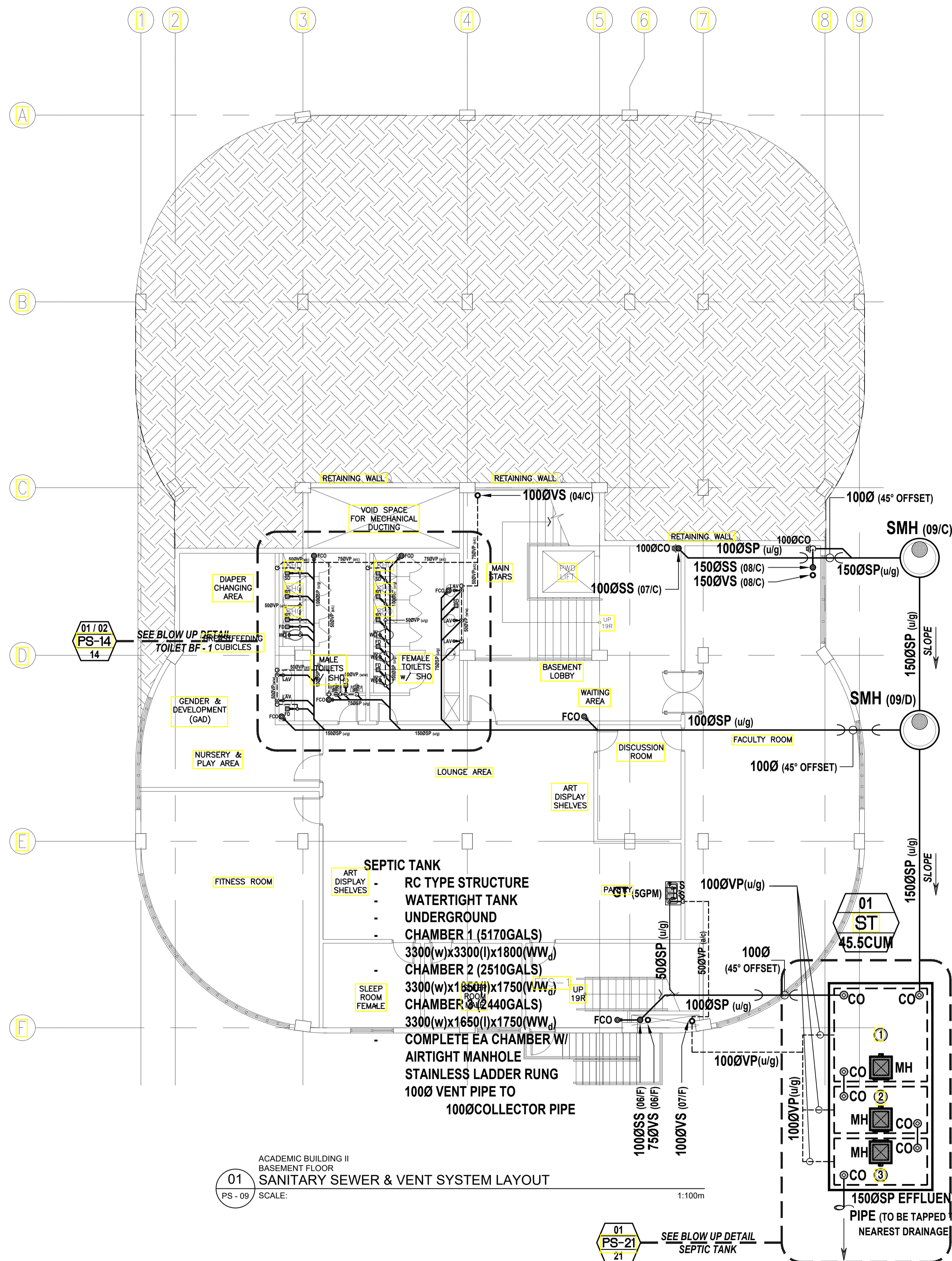
01
PS - 07 SCALE: 1:100m
ACADEMIC BUILDING II
GROUND FLOOR
STORMWATER & CONDENSATE DRAINAGE SYSTEM LAYOUT



02
PS - 07 SCALE: 1:100m
ACADEMIC BUILDING II
SECOND FLOOR
STORMWATER & CONDENSATE DRAINAGE SYSTEM LAYOUT

<p>ENRIQUE O. OLANON & ASSOCIATES ARCHITECTS ENGINEERS CONSULTANTS</p> <p><i>IN JOINT VENTURE WITH</i></p> <p>ENRIQUE O. OLANON & ASSOCIATES, CO. ARCHITECTS ENGINEERS CONSULTANTS</p>	<p>ENGINEER:</p> <p>VICTORIA ADEGER SANITARY ENGINEER</p>	<p>REPUBLIC ACT 9266</p> <p>DRAWINGS AND SPECIFICATIONS AND OTHER CONTRACT DOCUMENTS DULY SIGNED, STAMPED OR SEALED, AS INSTRUMENTS OF SERVICE, ARE THE INTELLECTUAL PROPERTY AND DOCUMENT OF THE ARCHITECT. WHETHER THE OBJECT FOR WHICH THEY ARE MADE IS EXECUTED OR NOT, IT SHALL BE UNLAWFUL FOR ANY PERSON TO DUPLICATE OR TO MAKE COPIES OF SAID DOCUMENTS FOR USE IN THE REPLICATION OF AND FOR OTHER PROJECTS OR BUILDINGS, WHETHER EXECUTED PARTY OR IN WHOLE, WITHOUT THE WRITTEN CONSENT OF ARCHITECT OR AUTHOR OF SAID DOCUMENT.</p>	<p>PROJECT:</p> <p>PROPOSED ACADEMIC BUILDING II</p>	<p>DESIGNED FOR:</p> <p>REPUBLIC OF THE PHILIPPINES PHILIPPINE SCIENCE HIGH SCHOOL - MIMAROPA REGIONAL CAMPUS</p>	<p>RECOMMENDING APPROVAL:</p> <p>MERIAM F. FALLAR FAD CHIEF</p>	<p>APPROVED BY:</p> <p>EDWARD C. ALBARACIN CAMPUS DIRECTOR</p>	<p>SHEET CONTENTS:</p> <p>STORMWATER & CONDENSATE DRAINAGE SYSTEM - GROUND FLOOR - SECOND FLOOR</p>	<p>SHEET NO:</p> <p>PS 07 21</p>
	<p>SUITE 305 XAVIERVILLE SQUARE CONDOMINIUM NO. 38 XAVIERVILLE AVENUE, LOROLA HEIGHTS, QUEZON CITY, 1108 TEL NOS: 426 7009; 426 3004-4 FAX NOS: 927 0608; 426 7214</p> <p>PRC No.: 0001927 PTR No.: 4580635 PRC Validity: March 23, 2024 PTR Date: January 07, 2021 TN No.: 1108-318-662 PTR Place: Pasay City</p>	<p>LOCATION: Brgy. Rizal, Odiangan, Romblon</p>						

GENERAL NOTES: PROVIDE PLUMBING STUB OUT FOR BASEMENT AND GROUND FLOOR



<p>ENRIQUE O. OLONAN & ASSOCIATES ARCHITECTS ENGINEERS CONSULTANTS</p> <p>IN JOINT VENTURE WITH</p> <p>ENRIQUE O. OLONAN & ASSOCIATES, CO. ARCHITECTS ENGINEERS CONSULTANTS</p>	<p>ENGINEER:</p> <p>VICTORIA ADEDECER SANITARY ENGINEER</p>	<p>REPUBLIC ACT 9266</p> <p>DRAWINGS AND SPECIFICATIONS AND OTHER CONTRACT DOCUMENTS DULY SIGNED, STAMPED OR SEALED, AS INSTRUMENTS OF SERVICE, ARE THE INTELLECTUAL PROPERTY AND DOCUMENT OF THE ARCHITECT. WHETHER THE OBJECT FOR WHICH THEY ARE MADE IS EXECUTED OR NOT, IT SHALL BE UNLAWFUL FOR ANY PERSON TO DUPLICATE OR TO MAKE COPIES OF SAID DOCUMENTS FOR USE IN THE REPRODUCTION OF AND FOR OTHER PROJECTS OR BUILDINGS, WHETHER EXECUTED PARTY OR IN WHOLE, WITHOUT THE WRITTEN CONSENT OF ARCHITECT OR AUTHOR OF SAID DOCUMENT.</p>	<p>PROJECT:</p> <p>PROPOSED ACADEMIC BUILDING II</p>	<p>DESIGNED FOR:</p> <p>REPUBLIC OF THE PHILIPPINES PHILIPPINE SCIENCE HIGH SCHOOL - MIMAROPA REGIONAL CAMPUS</p>	<p>RECOMMENDING APPROVAL:</p> <p>MERIAM F. FALLAR FAD CHIEF</p>	<p>APPROVED BY:</p> <p>EDWARD C. ALBARACIN CAMPUS DIRECTOR</p>	<p>SHEET CONTENTS:</p> <ul style="list-style-type: none"> SANITARY SEWER & VENT SYSTEM - BASEMENT FLOOR - GROUND FLOOR 	<p>SHEET NO:</p> <p>PS 09 21</p>
	<p>SUITE 305 XAVIERVILLE SQUARE CONDOMINIUM NO. 38 XAVIERVILLE AVENUE, LORRAINE HEIGHTS, QUEZON CITY, 1108 TEL NOS: 426 7009; 426 3040-44 FAX NOS: 927 0608; 426 7214</p> <p>PRC No.: 0001927 PTR No.: 4580635 PRC Validity: March 23, 2024 PTR Date: January 07, 2021 TIN No.: 1108-318-662 PTR Place: Pasay City</p>	<p>LOCATION: Brgy. Rizal, Odiangan, Romblon</p>	<p>RECOMMENDING APPROVAL:</p> <p>MERIAM F. FALLAR FAD CHIEF</p>	<p>APPROVED BY:</p> <p>EDWARD C. ALBARACIN CAMPUS DIRECTOR</p>	<p>SHEET CONTENTS:</p> <ul style="list-style-type: none"> SANITARY SEWER & VENT SYSTEM - BASEMENT FLOOR - GROUND FLOOR 	<p>SHEET NO:</p> <p>PS 09 21</p>		